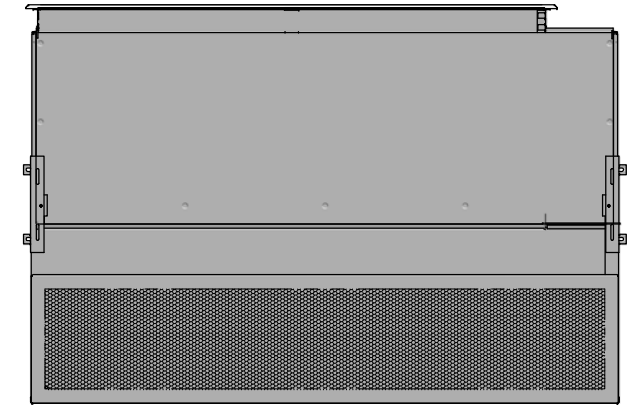


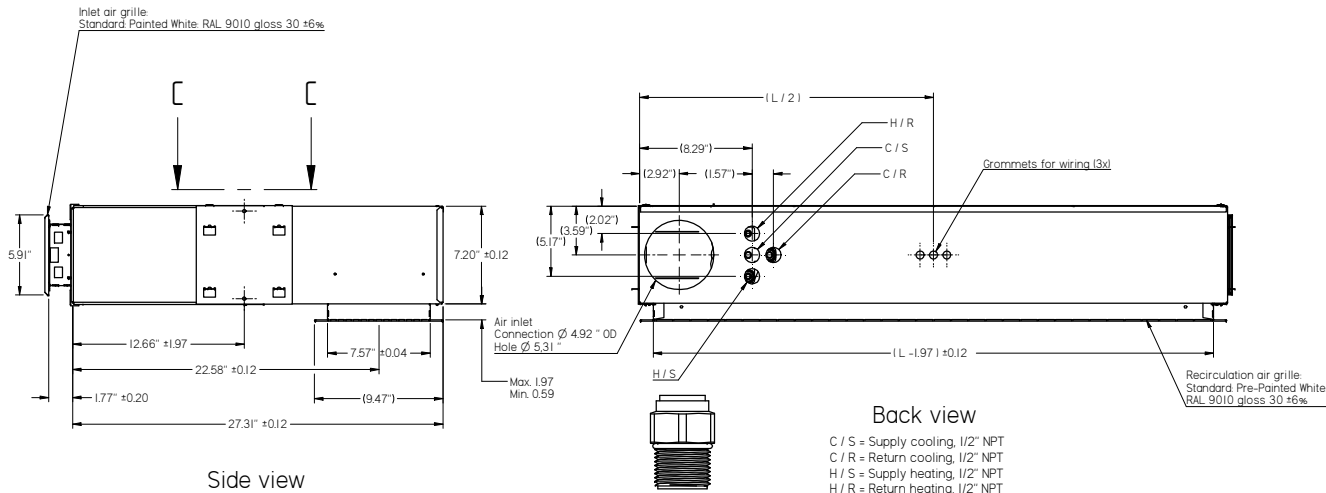
Top view



Bottom view



Front view

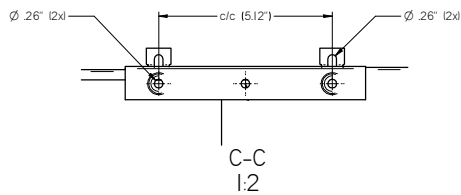


Side view

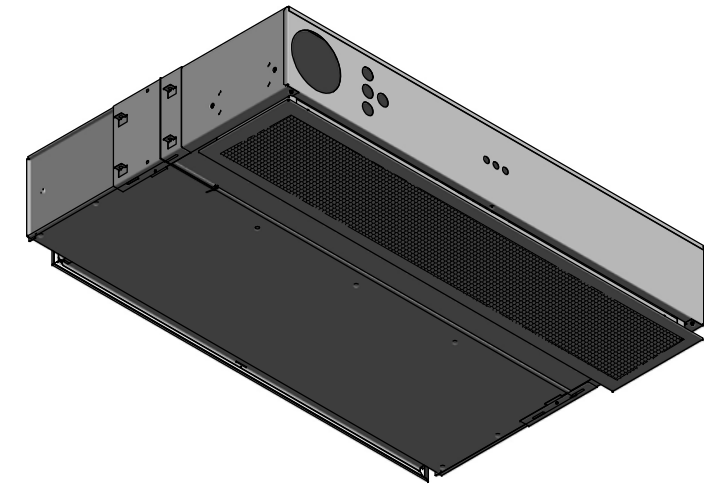
Back view

C / S = Supply cooling, 1/2" NPT
 C / R = Return cooling, 1/2" NPT
 H / S = Supply heating, 1/2" NPT
 H / R = Return heating, 1/2" NPT

1/2" NPT OD



Nom Length FT (l)	Order code	L Length IN (l)	Normal capacity (NC)			High Capacity (HC)		
			Dry weight R Y Y (lb)	Water volume Cool (gal)	Water volume Heat (gal)	Dry weight R Y Y (lb)	Water volume Cool (gal)	Water volume Heat (gal)
3.0	900	35.4	49.4	0.2	0.1	50.7	0.3	0.1
3.5	1100	43.3	57.3	0.2	0.1	59.5	0.3	0.1
4.5	1300	51.2	65.5	0.3	0.1	68.3	0.4	0.1
5.0	1500	59.1	73.4	0.3	0.1	77.2	0.4	0.1



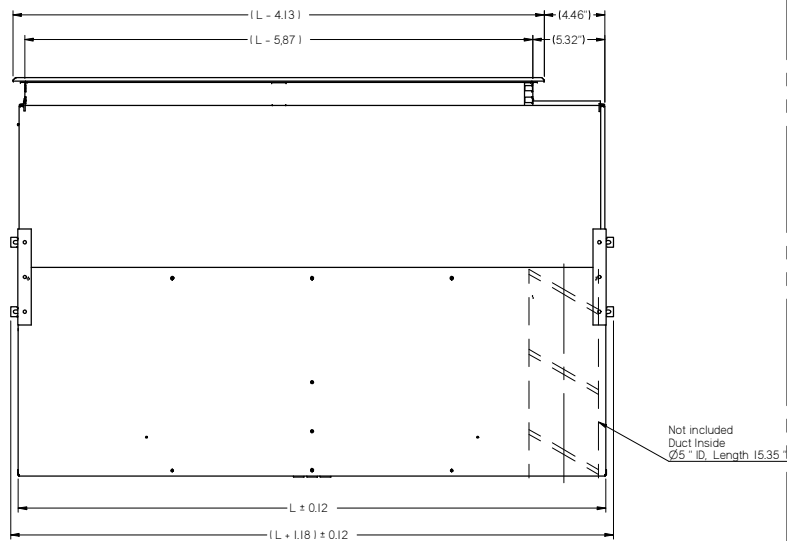
PARAGON L Y Y (Left)

Notice! Sketch not valid for production.

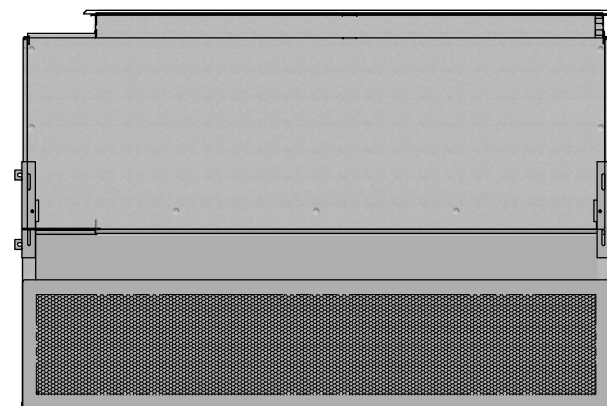
Druckzeichnung	Rev.	Druckzeichnung	Rev.	Benennung	Typ	Materialkennnummer	Ans.
Toleranz für alle direkt toleranzlos				Mittelschicht		2009-05-11	
Mittelschicht				Mittelschicht		S-1961-H	
Mittelschicht				Mittelschicht		Blatt 15	
Mittelschicht				Mittelschicht		Blatt 17	
Mittelschicht				Mittelschicht		Blatt H	
Mittelschicht				Mittelschicht		Blatt H	

Swegon

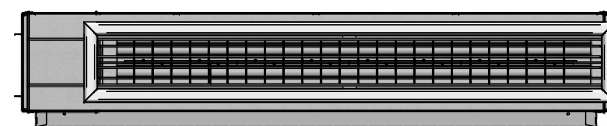
Måttskiss / Dimensionsketch
 PARAGON
 S-1961



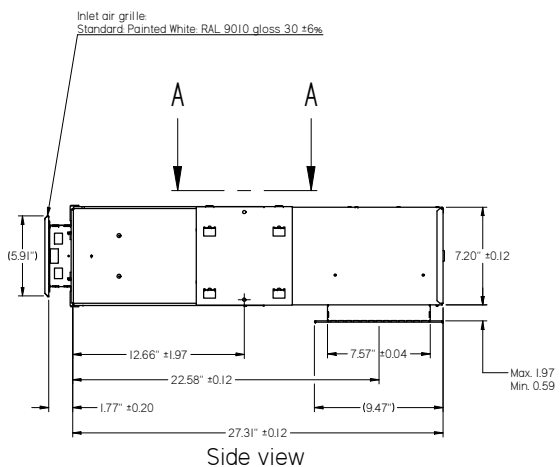
Top view



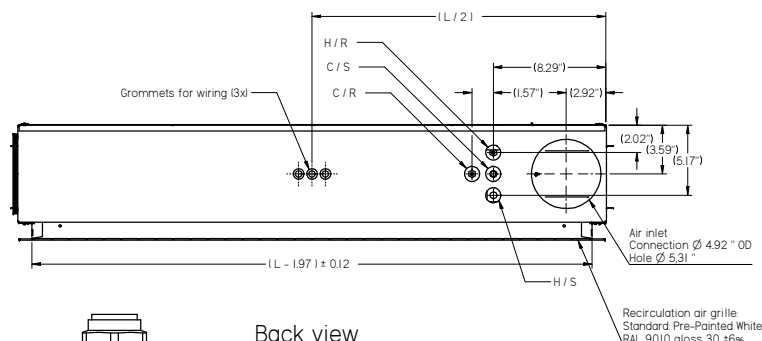
Bottom view



Front view



Side view

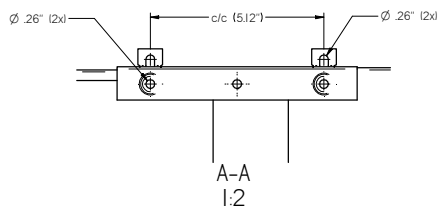


Back view



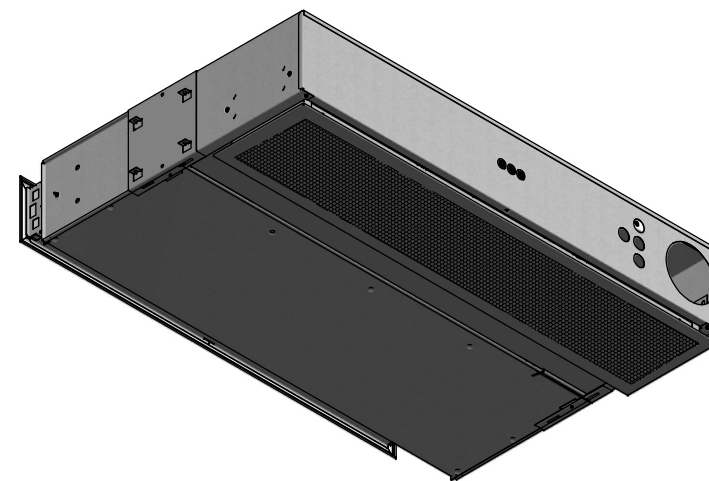
1/2" NPT OD

C / S = Supply cooling, 1/2" NPT
 C / R = Return cooling, 1/2" NPT
 H / S = Supply heating, 1/2" NPT
 H / R = Return heating, 1/2" NPT



A-A
1:2

Nom Length FT (l)	Order code	L Length IN (l)	Normal capacity (NC)			High Capacity (HC)		
			Dry weight R Y Y (lb)	Water volume Cool (gal)	Water volume Heat (gal)	Dry weight R Y Y (lb)	Water volume Cool (gal)	Water volume Heat (gal)
3.0	900	35.4	49.4	0.2	0.1	50.7	0.3	0.1
3.5	1100	43.3	57.3	0.2	0.1	59.5	0.3	0.1
4.5	1300	51.2	65.5	0.3	0.1	68.3	0.4	0.1
5.0	1500	59.1	73.4	0.3	0.1	77.2	0.4	0.1



PARAGON R Y Y (Right)

Notice! Sketch not valid for production.

Druckzeichnung	Rev.	Druckzeichnung	Rev.	Benennung	Typ	Materialkennnummer	Ans.
Toleranzen für alle direkt toleranzgesetzte Maßangaben (ISO 2768-M 1) mm						Ersteller: 2009-05-11 Freigegeben: S-1961-H Skizze: 15 Blatt: 6/7 Zeichnung: S-1961 H	
				Måttskiss / Dimensionsketch		PARAGON	