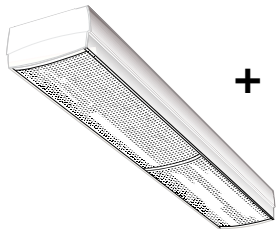


FRBb

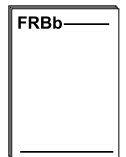
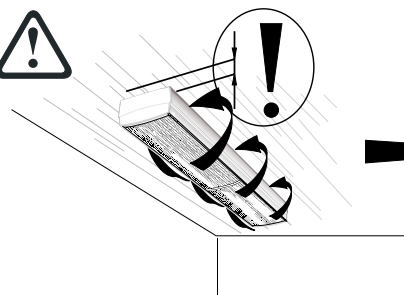
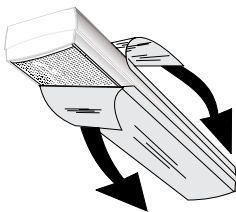
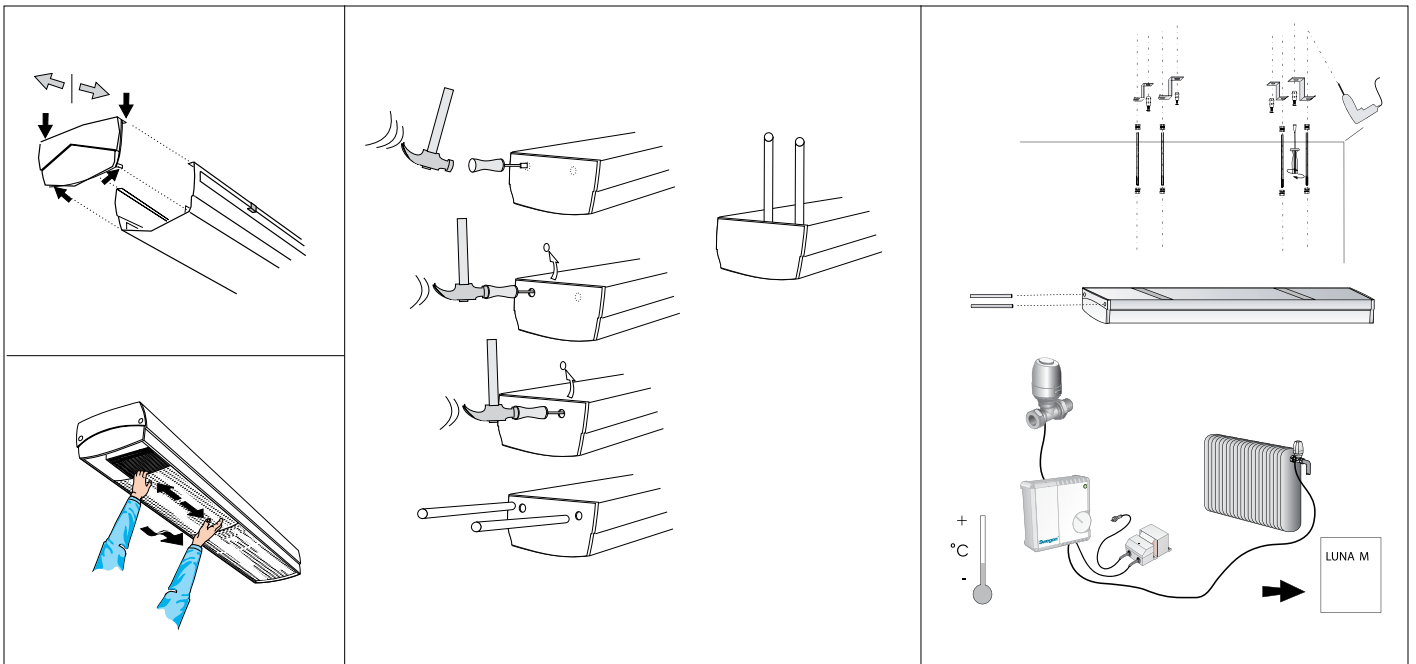
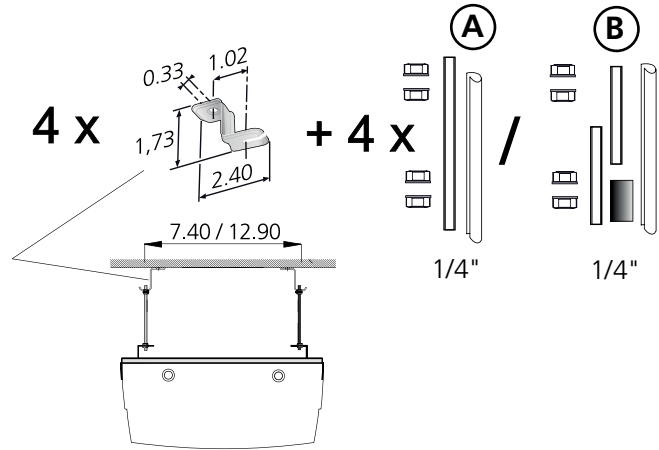
Installation - Commissioning - Maintenance

2012-08-16

FRBb 290 / 430



+ (A) / (B)



FRBb - m