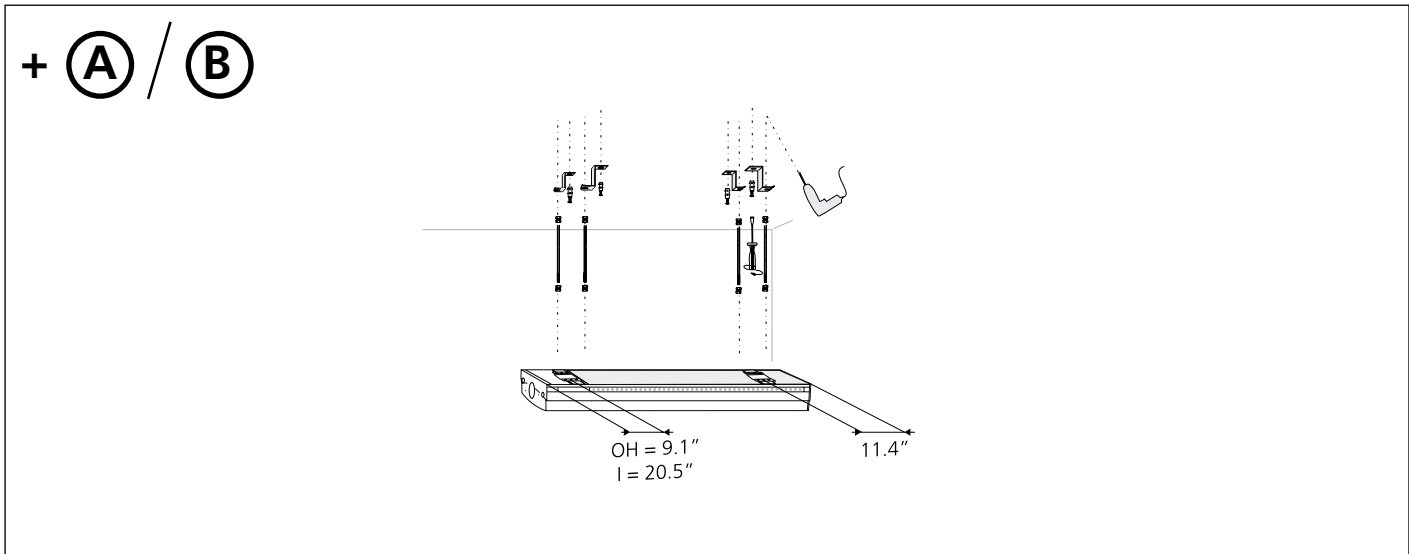
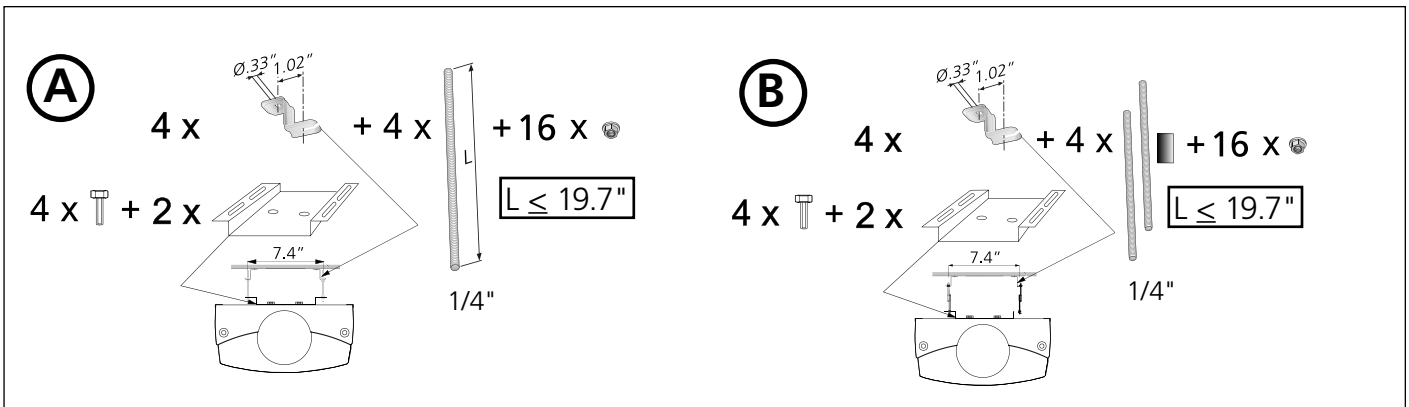
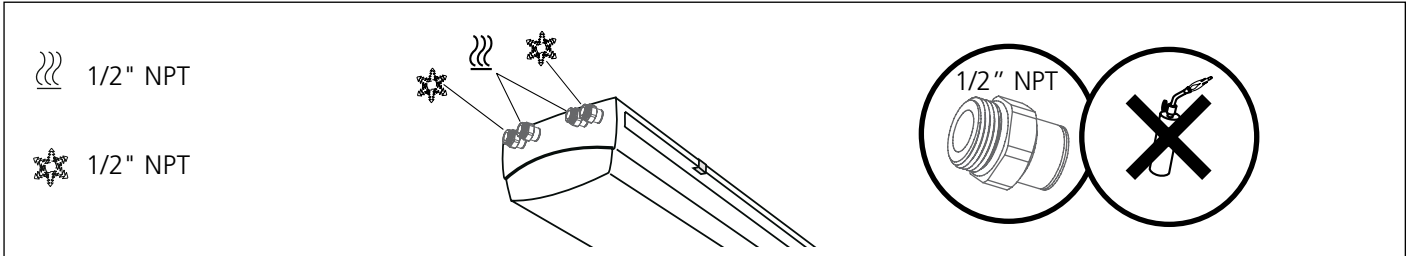


ADRIATIC VF b

Installation - Commissioning - Maintenance

2012-03-09



ADRIATIC VF b - m

© 2 x + 4 x

L _{nom} ft	L _{nom} m
4	1.2
5	1.5
6	1.8
7	2.1
8	2.4
9	2.7
10	3.0
11	3.3
12	3.6
13	3.9

Max. recommended operating pressure: 230 psi
Max. permissible inlet flow temperature: 140°F

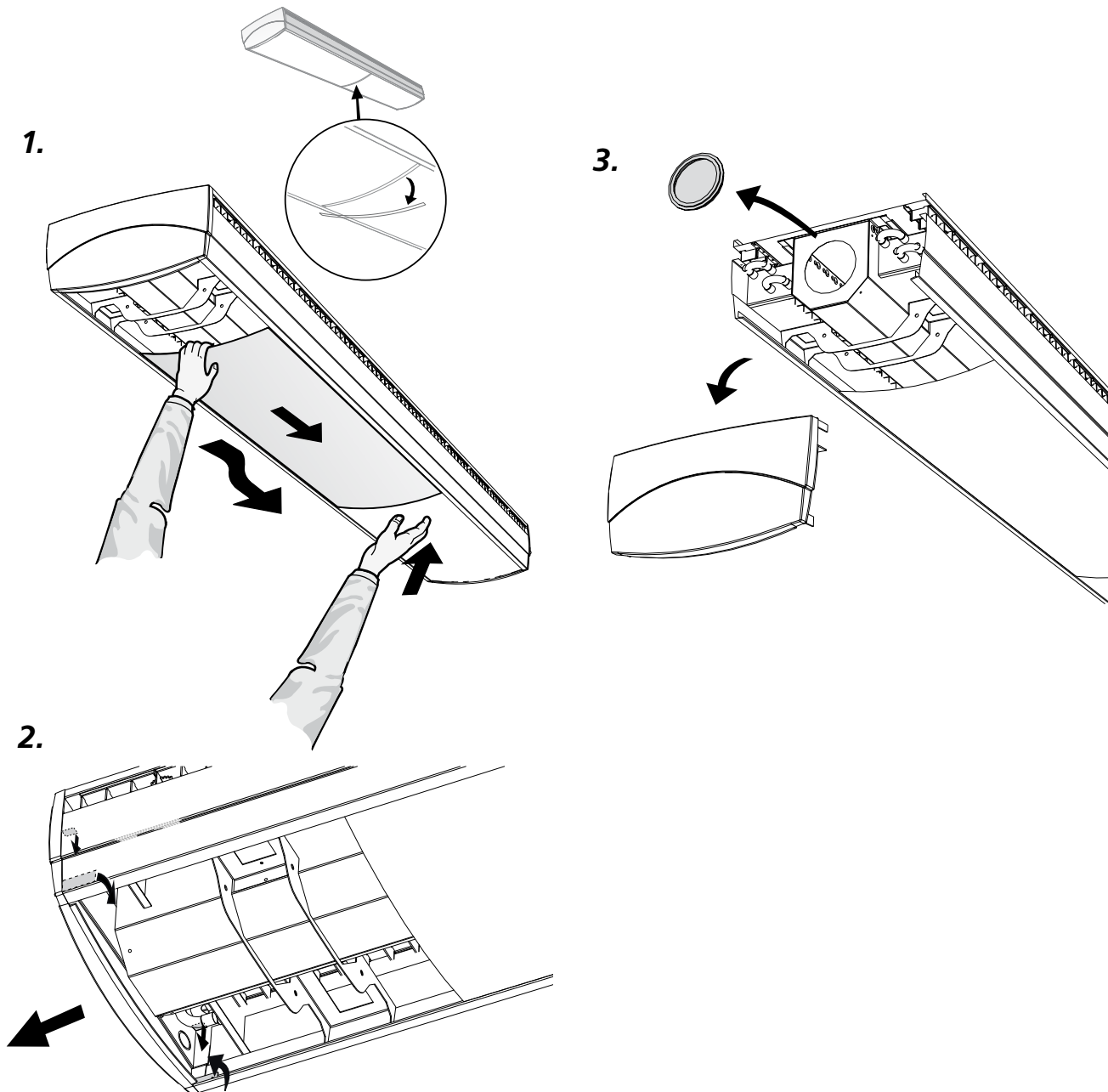
	SYMMETRIC (q=50%/50%)				
	pi (in wg)	q (cfm)	k	q=50%	q=50%
ADRIATIC VF b 1.2-OH	0.12-0.28	14.8-22.2	41.8	2L	2L
	0.12-0.28	23.3-36.0	67.3	LM	LM
ADRIATIC VF b 1.5-I	0.12-0.28	29.7-45.6	86.0	LH	LH
	0.12-0.28	32.8-49.8	92.7	2M	2M
	0.12-0.28	39.2-58.3	111.5	MH	MH
	0.12-0.28	45.6-68.9	129.9	2H	2H
ADRIATIC VF b 1.8-OH	0.12-0.28	22.2-32.8	62.9	3L	3L
	0.12-0.28	30.7-46.6	88.4	2LM	2LM
ADRIATIC VF b 2.1-I	0.12-0.28	37.1-56.2	106.8	2LH	2LH
	0.12-0.28	45.6-69.9	132.2	LMH	LMH
	0.12-0.28	51.9-79.5	150.6	L2H	L2H
	0.12-0.28	60.4-93.2	176.0	M2H	M2H
	0.12-0.28	66.7-102.8	194.5	3H	3H
	0.12-0.28	77.3-117.6	222.6	2M2H	2M2H
ADRIATIC VF b 2.4-OH	0.12-0.28	28.6-44.5	84.0	4L	4L
	0.12-0.28	38.1-57.2	109.4	3LM	3LM
ADRIATIC VF b 2.7-I	0.12-0.28	46.6-71.0	134.9	2L2M	2L2M
	0.12-0.28	56.2-84.8	160.3	L3M	L3M
	0.12-0.28	64.6-97.5	185.8	4M	4M
	0.12-0.28	77.3-117.6	222.6	2M2H	2M2H
	0.12-0.28	90.1-	259.4	4H	4H
	0.12-0.28	100.6-	289.8	L3M2H	L3M2H
ADRIATIC VF b 3.0-OH	0.12-0.28	37.1-55.1	105.1	5L	5L
	0.12-0.28	45.6-68.9	130.5	4LM	4LM
ADRIATIC VF b 3.3-I	0.12-0.28	54.0-81.6	156.0	3L2M	3L2M
	0.12-0.28	63.6-95.4	181.4	2L3M	2L3M
	0.12-0.28	72.0-109.1	206.8	L4M	L4M
	0.12-0.28	86.9-	250.7	4MH	4MH
	0.12-0.28	99.6-	287.5	2M3H	2M3H
	0.12-0.28	100.6-	289.8	L3M2H	L3M2H
ADRIATIC VF b 3.6-OH	0.12-0.28	43.4-66.7	125.8	6L	6L
	0.12-0.28	53.0-79.5	151.3	5LM	5LM
ADRIATIC VF b 3.9-I	0.12-0.28	61.4-93.2	176.7	4L2M	4L2M
	0.12-0.28	69.9-107.0	202.2	3L3M	3L3M
	0.12-0.28	83.7-	239.0	3LM2H	3LM2H
	0.12-0.28	92.2-	264.4	2L2M2H	2L2M2H
	0.12-0.28	100.6-	289.8	L3M2H	L3M2H
	0.12-0.28	100.6-	289.8	L3M2H	L3M2H

ASYMMETRIC (q≈70%/30%)				
pi (in wg)	q (cfm)	k	q=70%	q=30%
0.12-0.28	23.3-36	67.3	2M	2L
0.12-0.28	29.7-45.6	86.0	2H	2L
0.12-0.28	33.9-51.9	98.7	2H	LM
0.12-0.28	30.7-46.6	88.4	L2M	3L
0.12-0.28	41.3-63.6	119.5	M2H	3L
0.12-0.28	44.5-67.8	128.9	3H	3L
0.12-0.28	48.7-75.2	141.6	3H	2LM
0.12-0.28	54-81.6	154.3	3H	L2M
0.12-0.28	38.1-57.2	109.4	2L2M	4L
0.12-0.28	46.6-71	134.9	4M	4L
0.12-0.28	53-80.5	153.3	2M2H	4L
0.12-0.28	59.3-90.1	171.7	4H	4L
0.12-0.28	73.1-110.2	209.9	4H	L3M
0.12-0.28	54-82.6	156.0	L4M	5L
0.12-0.28	64.6-98.5	187.1	3M2H	5L
0.12-0.28	75.2-	214.5	5H	5L
0.12-0.28	82.6-	240.0	5H	3L2M
0.12-0.28	56.2-84.8	160.7	4LMH	6L
0.12-0.28	69.9-107	202.2	6M	6L
0.12-0.28	79.5-	229.9	3M3H	6L
0.12-0.28	85.8-	248.3	M5H	6L

ADRIATIC VF b

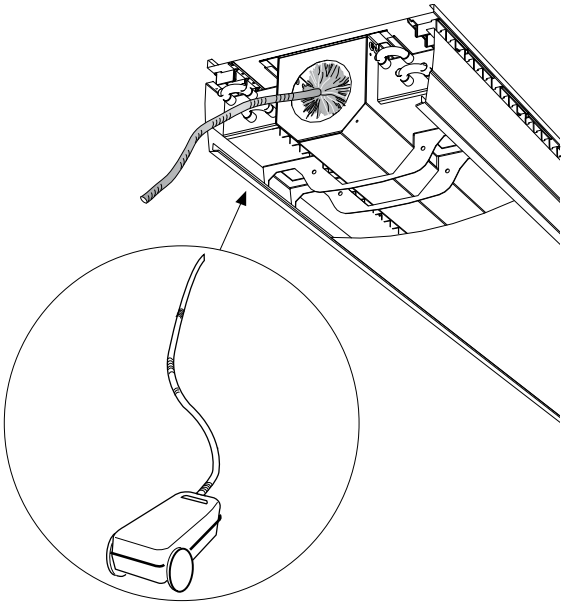
Installation - Commissioning - Maintenance

2012-03-09

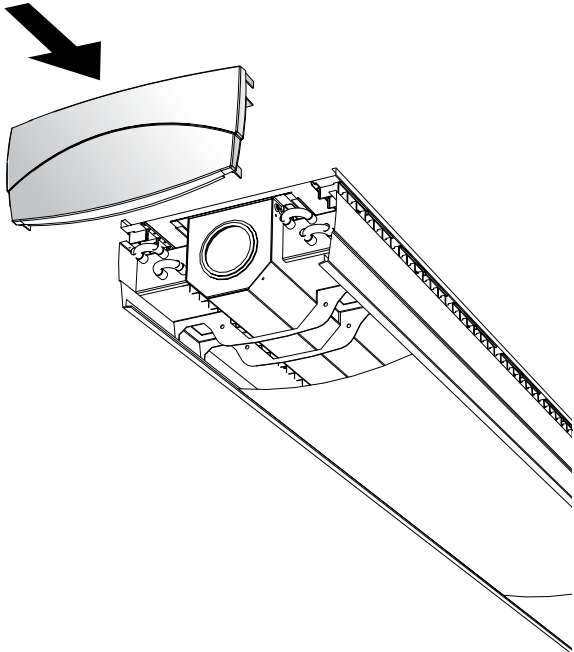


ADRIATIC VF b - m

4.



5.



6.

