

DETECT Temp

Installation - Adjustment - Care

20090508

DETECT Ta

DETECT Temperature is a temperature sensor for the WISE system and can be wired to the ADAPT products via CONNECT Adapt.

Adjustment

DETECT Temp has fixed values which cannot be changed. Its range scale is 10 - 30 °C with the output signal of 0-10 V DC.

Care

The DETECT Temp should be wiped or brushed to remove dust whenever necessary. If it is extremely dirty, it can be cleaned with detergent, however only using a moist cleaning cloth.

Electrical Data

Supply voltage	24 V AC ±10%
Power consumption	1 VA
Output: 0-10 V max load	10 mA
Degree of protection	IP 30

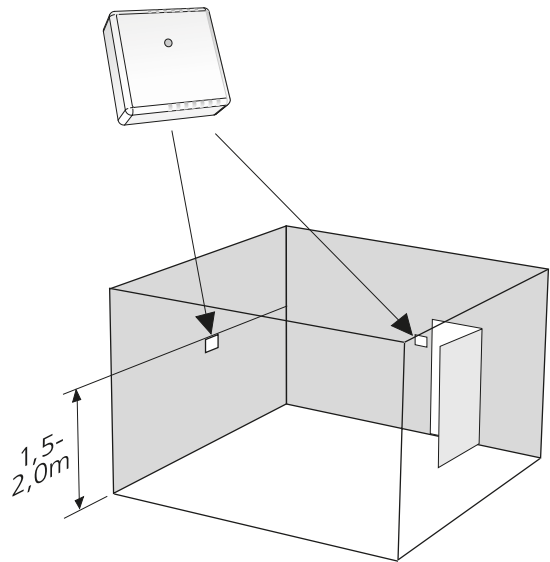


Figure 1. Mount the DETECT Temp on an appropriate wall in the room. The product must not be exposed to sunlight or draught from open doors or windows.

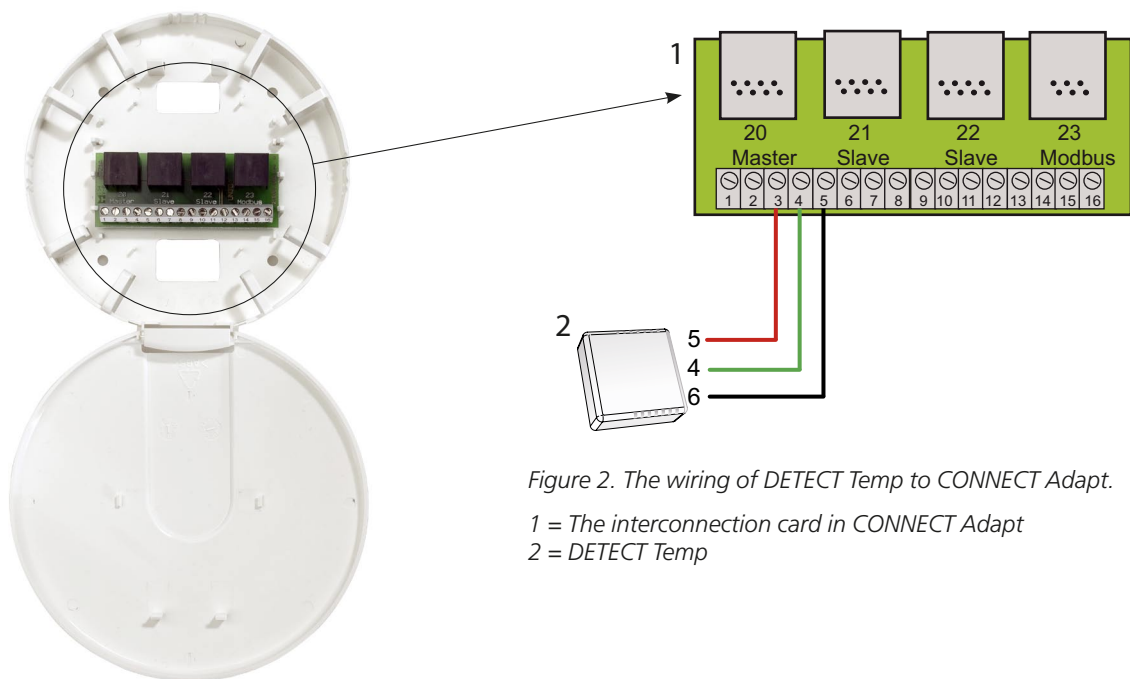


Figure 2. The wiring of DETECT Temp to CONNECT Adapt.

1 = The interconnection card in CONNECT Adapt
2 = DETECT Temp

DETECT Ta - MIS