

# RTC<sub>C</sub>

Installation – Commissioning – Maintenance

20191118

## Accessories

- RTCT 1 duct temperature sensor for installation in an extract air duct.
- DETECT O presence detector for resetting the dead band between heating and cooling.
- Hand-held terminal LUNA d T-CU. Refer to the Instructions for Use LUNA d, chapter 6, for operation of the hand-held terminal.

## Maintenance

Dirty products may be cleaned only by wiping with a cloth to remove dust.

## Installation

The RTC should preferably be installed between 1.5 and 2 m above the floor in a representative position. It must not be exposed to direct sunlight. See Figure 1.

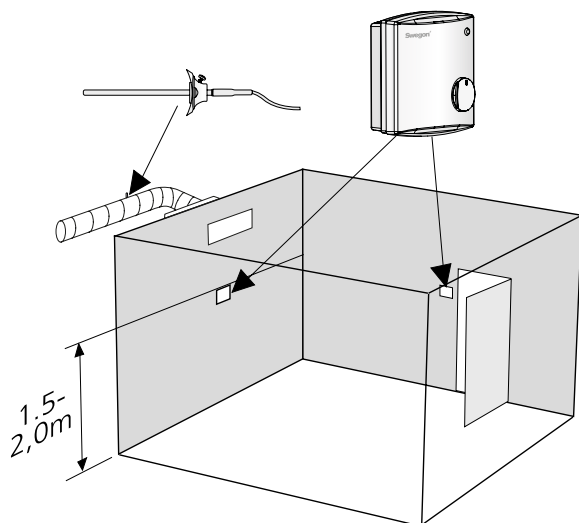


Figure 1. Placement of RTC room thermostat.

## Electrical data

### RTC room thermostat

Ambient temperature:

Operation	5 °C to 40 °C
Relative humidity	max. 90% RH (non-condensing)

Electrical data:

Supply voltage	24 V AC $\pm$ 10%
Power consumption	1 VA
Outputs: 0-10 V max. load	10 mA
Outputs 24 V on/off max. load	48 VA
Centre position for temperature setting	22 °C
P-band cooling increments	1.0 °C
P-band heating increments	1.5 °C
Dead band, presence	1.0 °C
Dead band, no occupants (with DETECT O)	4.0 °C

Enclosure:

Degree of protection	IP 30
Sensor, thermistor	1800 $\Omega$ at 25 °C
Accuracy, sensor, 0- till +35 °C	$\pm$ 0.3 K
Time constant	approx 7 min.

### RTCT 1 duct temperature sensor

Bulb	$\varnothing$ 6 mm x 115 mm
Duct connection	Flange
Enclosure class	IP 54
Cable	LIYY 2 x 0.14
Area	-50...70 °C
Accuracy	$\pm$ 0.2 °C (at 25 °C)

Electrical data:

Sensor, thermistor	10 k $\Omega$ at 25 °C
--------------------	------------------------

## Wiring diagram

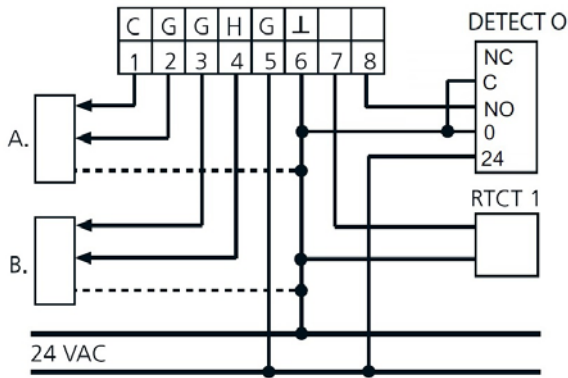


Figure 2. Connections are to be made according to the wiring diagram for the product that the RTC is connected to.  
A. = Cooling control  
B. = Heating control

### Jumper connection - RTC

The jumper connection in RTC must be changed when connecting the thermo-actuator. See the figures below. A maximum of 4 thermo-actuators are permitted to be wired to the same output.

NOTE! The unit must be de-energized before you reconnect any jumpers!

More information on the RTC can be read in its Installation – Commissioning Instructions.

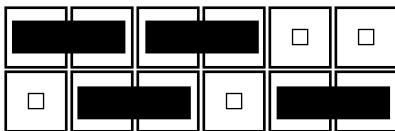


Figure 3. Jumper connection, Delivery settings.  
YK = Cooling energy regulation: 0-10V DC  
YH = Heat regulation: 0-10 V DC

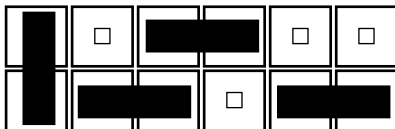


Figure 4. Jumper connection for thermo-actuator, heat.  
YK = Cooling energy regulation: 0-10 V DC  
YH = Heat regulation: 024 V AC

## Dimensions

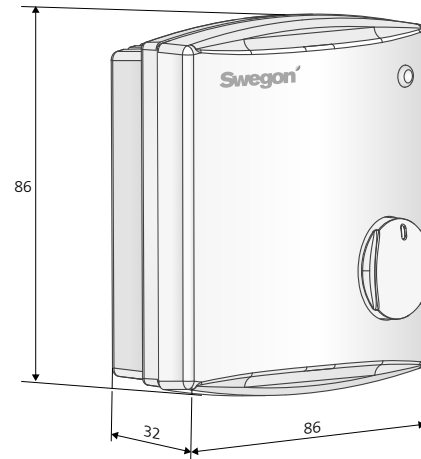


Figure 5. The RTC has brackets for and can be mounted on top of a Ø 60 mm junction box.

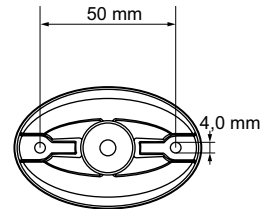
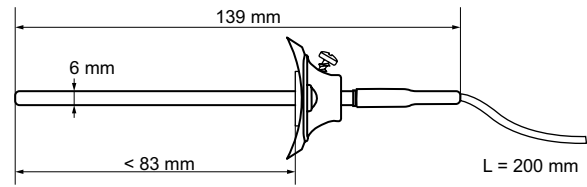


Figure 6. RTCT 1 duct temperature sensor.