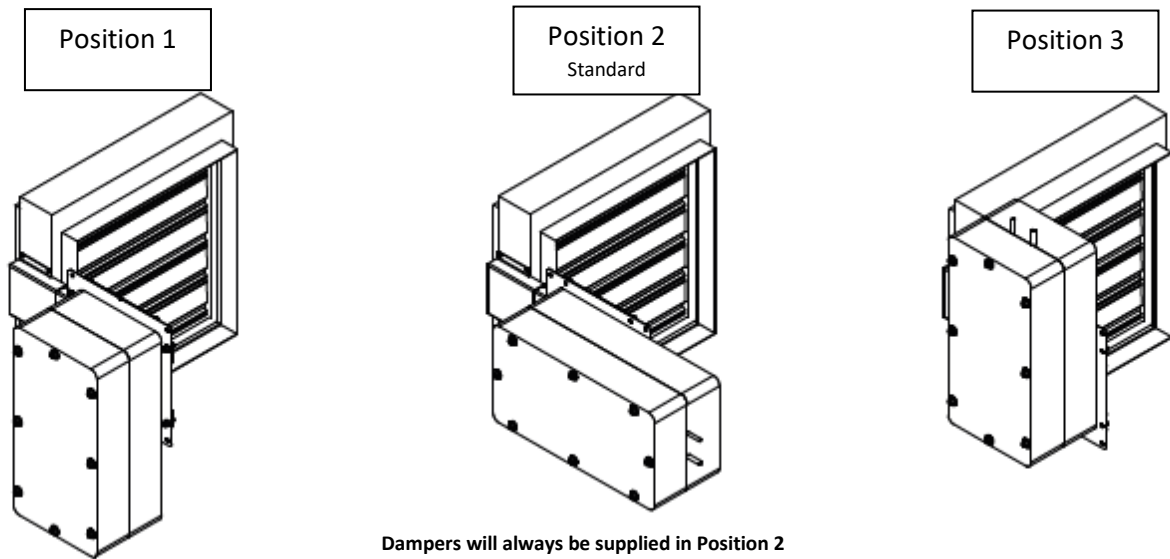


Damper Handing

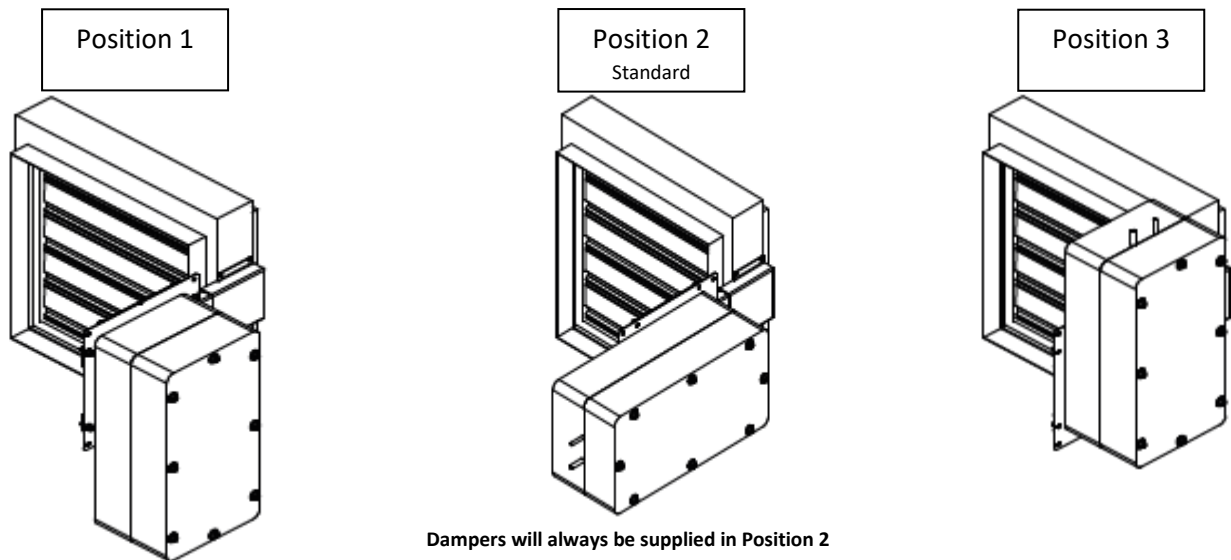
Damper handing's/orientation are best described; as if looking through the damper from the non-access side, i.e. behind the body of the damper with its arm(actuator) pointing away from you.

Right Hand Damper



Dampers will always be supplied in Position 2

Left Hand Dampers



Dampers will always be supplied in Position 2

