

CASA Jazz

Technical catalogue



QUICK FACTS

- Modern and elegant cooker hood
- Excellent cooking odour arresting capability: 77 %, 30 l/s | 108 m³/h
- Maintenance free LED lighting, (4000 K)
- Adjustable brightness
- Installed below R2/R3 ventilation unit or below/between the kitchen cabinets

COOKER HOOD TECHNICAL CONTENT

Dimensions, w x l x h	598 x 525 x 99 mm
Duct outlet	Ø 125 mm
Connection power	12 W
Lighting effect	8 W
Power source	24 V, 12 W, 0,5 A
Colour	White, RAL 9016 (corresponds to NCS S1002-G50Y) Stainless steel

Content

Technical description	3
Design data	5
Capacity for capturing cooking odours.....	5
Acoustic data	5
Dimensions.....	6
External connections	7
Internal connections.....	7
Installation.....	8
Models.....	10
Product codes	11

Technical description

Swegon CASA Jazz

The modernly designed Swegon CASA Jazz cooker hood can be connected directly to R2 or R3 ventilation unit or mounted below the cabinet. The smooth surfaces and washproof metal grease filters are easy to keep clean. The lighting in the hood is made up of maintenance-free LED lights with adjustable brightness.

The CASA cooker hood can be combined with different types of ventilation system in blocks of flats, terraced houses and detached houses.

Genius

A Swegon CASA ventilation unit can be controlled from the cooker hood (away/home/boost). The ventilation unit automatically compensates for the air removed via the cooker hood, preventing low pressure from occurring unnecessarily in the home.

The cooker hood can be used to directly control a modern EC roof fan. Older AC-operated roof fans can be controlled using the ITFC transformer available as an accessory.



Available variants

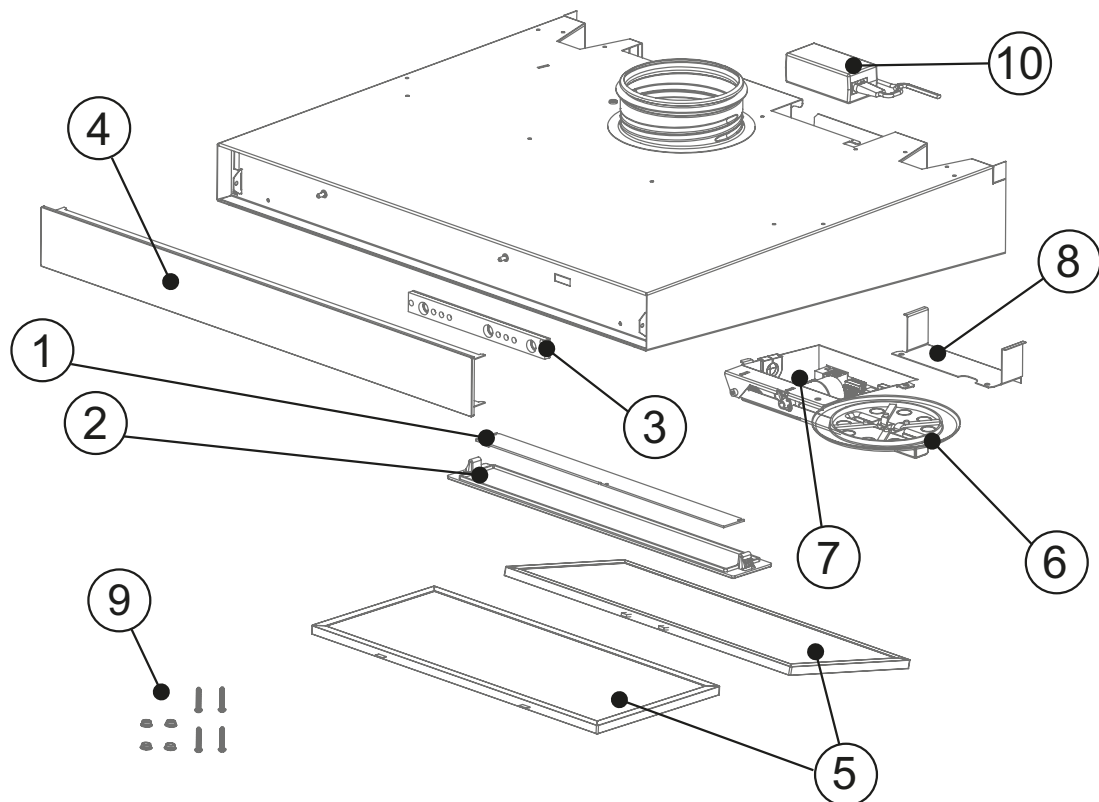
Standard units are available in following variants:

- **Jazz Genius – white**
 - installation width 600 mm
 - installation width 600 mm, Safera Safety system
- **Jazz Genius – stainless steel**
 - installation width 600 mm
 - installation width 600 mm, Safera Safety system

Jazz Genius

The delivery includes

- Cooker hood
- Mains adapter
- Assembly parts
- Installation and commissioning instruction
- Quick guide
- Guide sticker for residents

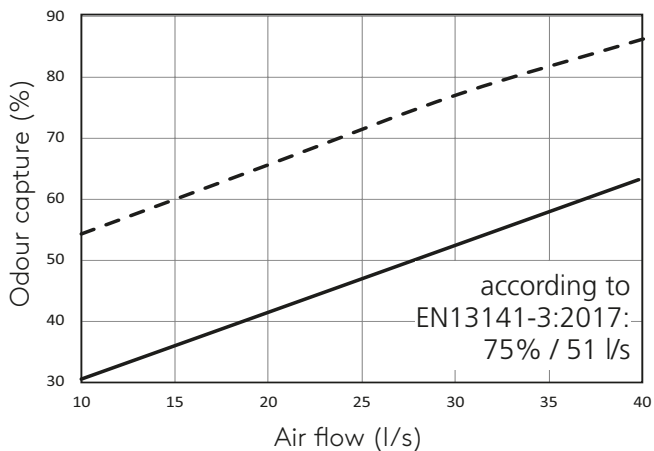


1. LED panel
2. Protection for LED lighting
3. Electronics for touch panel
4. Front panel
5. Grease filter
6. Shut-off damper with arm
7. Control box
8. Guard plate
9. Assembly parts
10. Mains adapter: 24 V, 24 W, 1 A



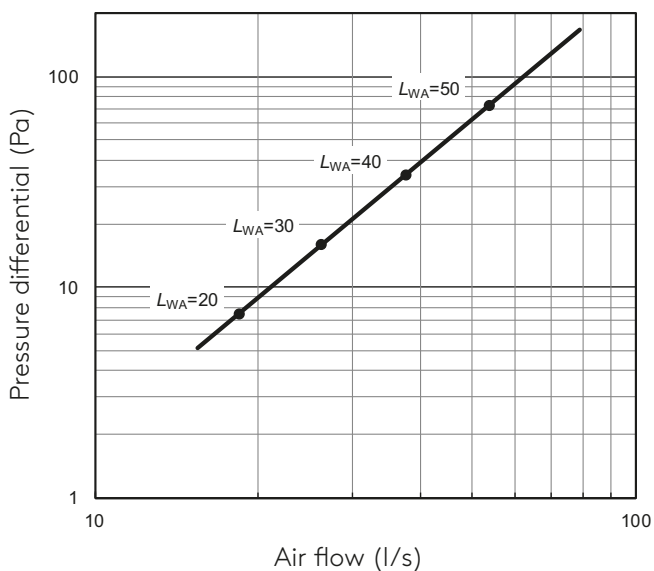
Design data

Capacity for capturing cooking odours



The cooker hoods are tested to IEC 61591:2005 (---) and EN13141-3:2017 (—) standards. The measurements were made at a distance of 60 cm from the cooker.

Acoustic data in boost mode

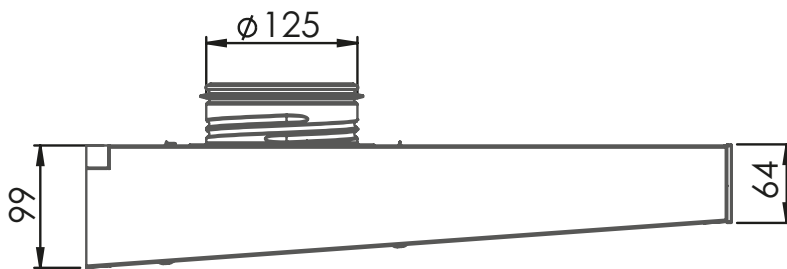
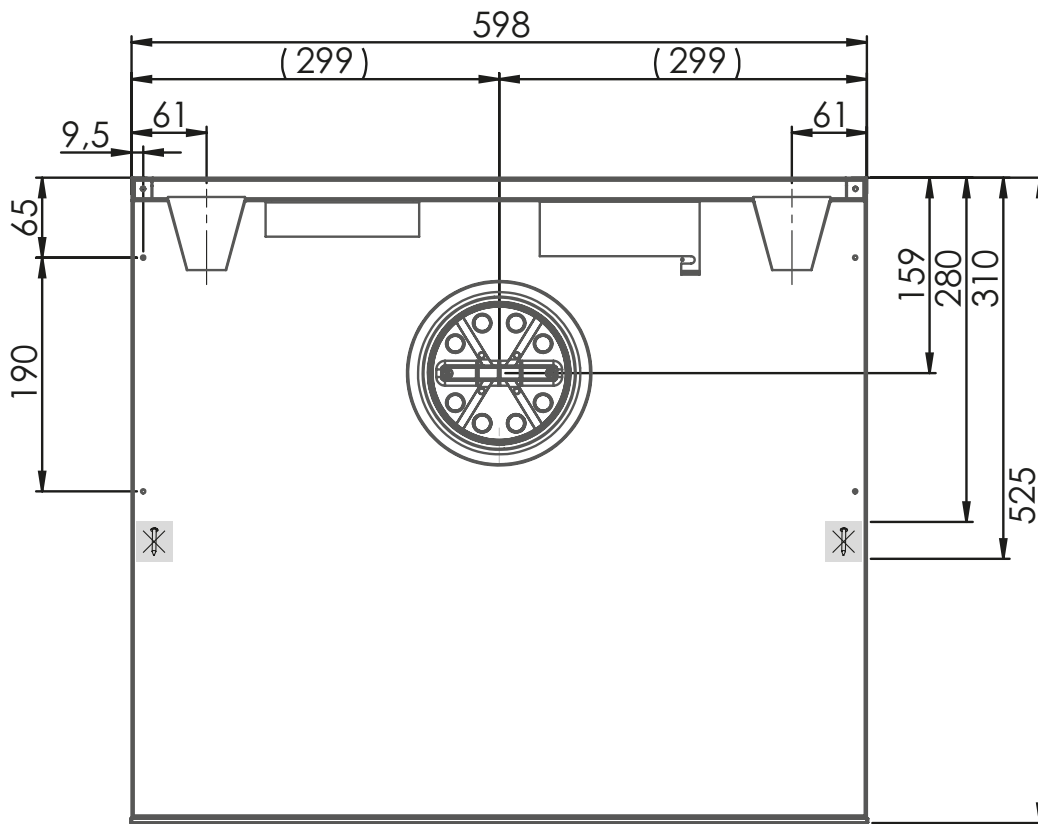


The cooker hoods are tested to ISO 5135 Standards.



Dimensions

Jazz Genius

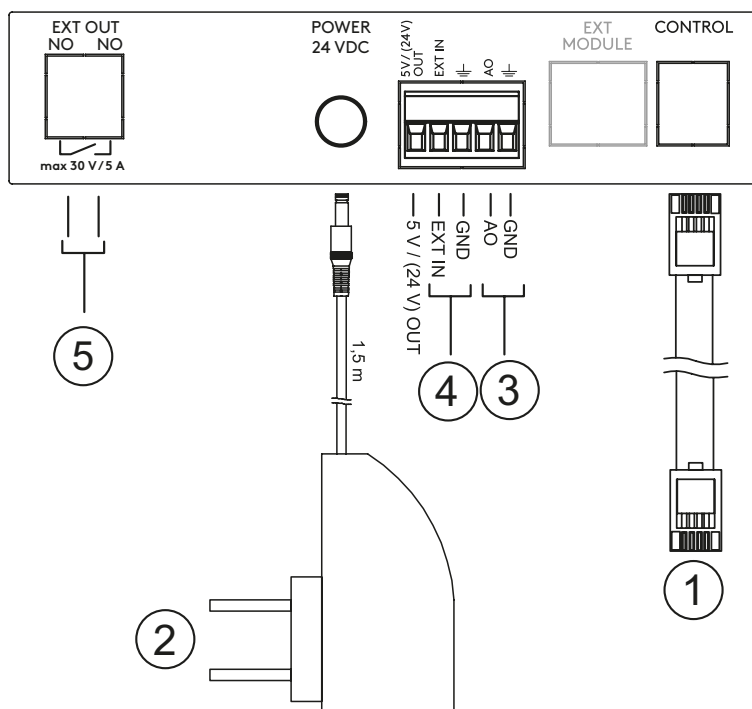




Connections

External connections

Genius

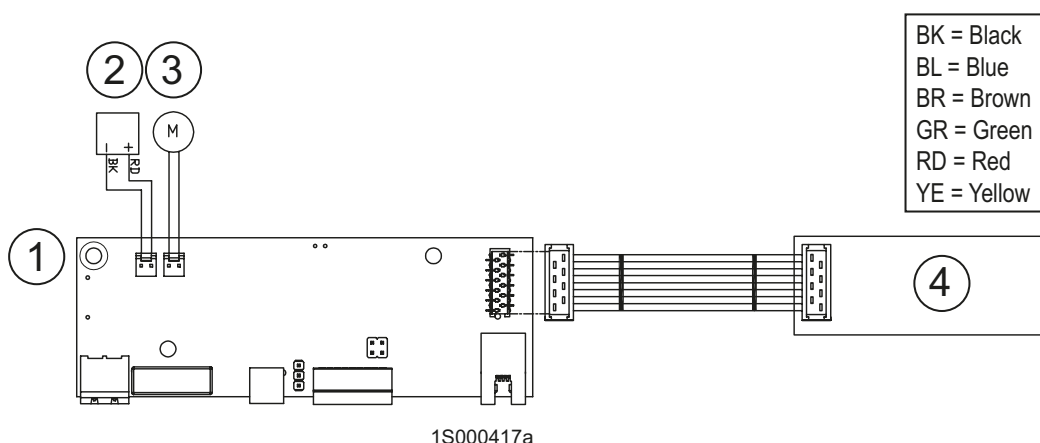


1. Control cable to the ventilation unit or ITFC transformer unit RJ9-connector (modular cable)
2. Mains adapter 24 V
3. Control signal to Twist fan unit or EC-power roof ventilator (0...10 VDC)*
4. Ext in: control of damper and lighting (with potential-free contact signal)*
5. Ext out: damper position signal (normally open)*

*) Connector in accessory bag.

Internal connections

Jazz



1. Control card
2. LED lighting (4000 K)
3. Damper motor
4. Control panel with touch electronics

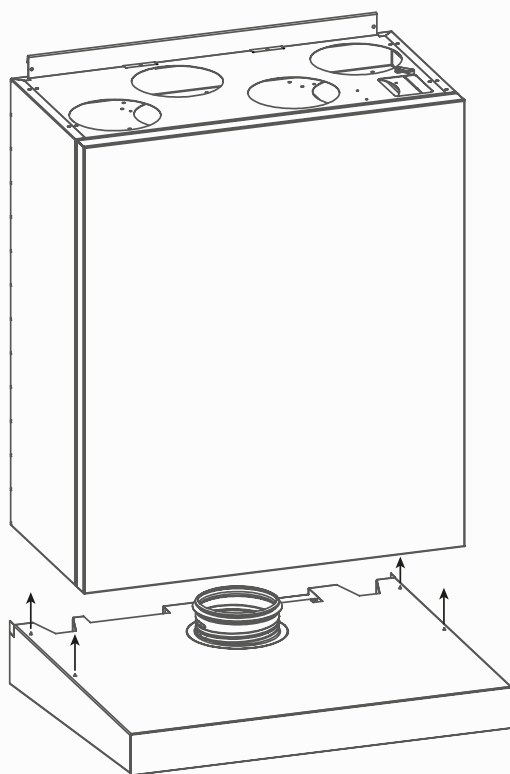
Installation

Safety clearance

The relative spacing between the cooker hood and the hob level should be at least: 400 mm (recommendation 500 mm, electric cooker) 650 mm (gas hob).

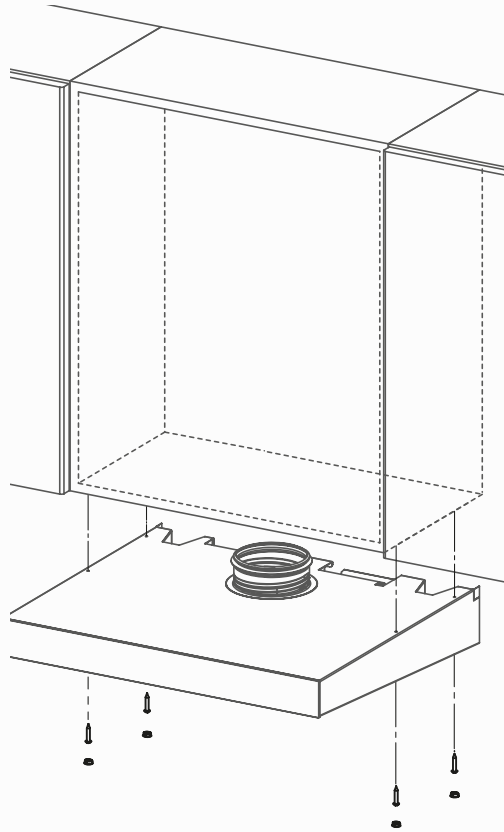
Installation under the ventilation unit

The cooker hood can be installed directly against the bottom of the R2 or R3 ventilation unit.

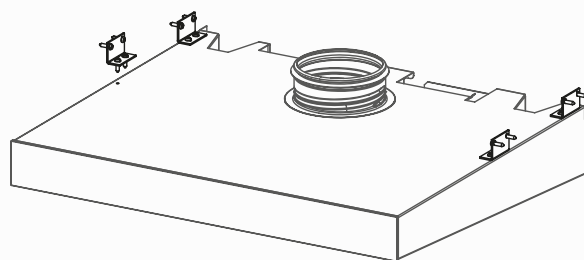


Installation under the cabinet

The cooker hood can be installed under the kitchen cabinet.

**Installation between kitchen cabinets**

The cooker hood can be attached to the adjacent cabinets using the optional mounting accessories (613515).



Models

		CASA JAZZ GENIUS
Compatible	CASA ventilation units	●
	Centralized systems	—
	Centralized systems (Free Flow)	—
	EC roof fans	●
	AC roof fans (and AHU's)	○*
	Width mm	600
	Height of front panel mm	64
	Depth mm	525
	Power connection	Supply from the ventilation unit Mains adapter
	Colour / material	white stainless steel
	Lighting	LED (4000K)
	Control panel	Touch panel
	Grease filter	2 metal filters
	Damper	●
	Electronic timer	●
	Fan speed	3 speeds
	Smoke limiter	—
	Sound attenuator box	—
	Duct casing	—
	Safera safety technology	○
	Safety voltage	●
	Installation method	Under the R2/R3 Between kitchen cabinets
	Provision to control the damper with a separate switch	●
	Indicating signal for the damper position	●

● Standard ○ Accessories — Not available

* ILVA transformer as an accessory (ITFC)



Product codes

Jazz

Product	Product code	GTIN
Jazz Genius 600 mm, white	PJV6M	6415879069135
Jazz Genius 600 mm, stainless steel	PJR6M	6415879069142
Jazz Genius 600 mm, white, safera	PJV6MS	6415879069159
Jazz Genius 600 mm, stainless steel, safera	PJR6MS	6415879069166

Accessories

Product	Product code	GTIN
Installation kit	613515	6415879066820
Transformer unit for AC control	ITFC	6415879068367
Balancing unit for cooker hood	CHB	6415879068756
Auxiliary relay 230 V for controlling actuators/Safera alarm signal	CHR	6415879068374
Cooker hood relay 24VDC	CHR24V	6415879069432
Power supply SET/actuator	Power 24V20W	6415879068404
Safera power control unit 3-phase FI model	632039	6415879068343
Safera power control unit 1-phase FI model	632037	6415879068350
Safera water leakage monitor	SA1	6415879068398

Feel good **inside**

