



SERENITY 10

Ambient SERENITY

SERENITY is a promise of comfort, well-being and acoustic serenity. The unit meets one of the greatest challenges in decentralised ventilation: **combining high airflow capacity with low noise levels.**

With only **35 dB(A) at 1000 m³/h**, SERENITY is well suited for learning environments, offices, and any space where concentration and comfort are essential. To put this into perspective, 35 dB(A) is as quiet as a refrigerator running efficiently.

ADVANCE TESTING

This performance is the result of extensive testing in our laboratories and in real-life environments. SERENITY was designed collaboratively across the Swegon Group's specialist centers.

The development began with sophisticated computational airflow simulations, carried out with our group level engineering team. These simulations enabled us to visualize, predict, and refine every airflow path inside the unit long before the first prototype was built. By understanding turbulence, pressure zones, and potential noise sources in advance, we were able to design a perfectly optimized internal architecture. From semi-anechoic chamber measurements and acoustic-camera analysis to on-site evaluations in an actual school, every test followed strict international standards.

PREVENTIVE MAINTENANCE

Beyond acoustics, SERENITY also integrates features designed for everyday reliability. The unit is equipped with two pressure switches that enable predictive maintenance of the filters. By monitoring filter load in real time, the system alerts users before performance drops or energy consumption increases, ensuring **continuous air quality and optimized operating costs** throughout the unit's life cycle.

SERENITY of use



CONTROL SYSTEM

The in-house developed TAC control technology allows configuration and control of indoor air quality parameters such as airflow, temperature, CO₂, etc.

To connect the air handling unit to a BMS system, several satellite circuits are available: SAT MODBUS, SAT Ethernet + WiFi, SAT INSIDE Ready, SAT KNX, BACnet gateway.

HMI

The TACtouch interface is a simple and user-friendly touchscreen allowing for an easy commissioning and control. The touchscreen includes a 2-meter connection cable and a magnetic bracket, allowing it to be attached anywhere on the unit. The HMI interface has been improved and simplified.

SERENITY of installation

SMOOTH TRANSITION FROM TRUCK TO CEILING

SERENITY is delivered vertically on an 800 mm-wide pallet. This configuration allows the unit to be moved directly from the truck to the ventilated room using appropriate handling equipment.

The unit can be easily transported by two people, block by block, from the truck to the room to be ventilated.

SERENITY can be installed as a single unit or separated into three independent modules. This modularity enables each module to pass through any standard doorway with ease.

The heaviest module weighs only 80 kg, making it easy for two operators to transport it safely throughout the building.

EASY MOUNTING PROCESS

The four unit's fixing points are positioned at different heights at the front and rear.

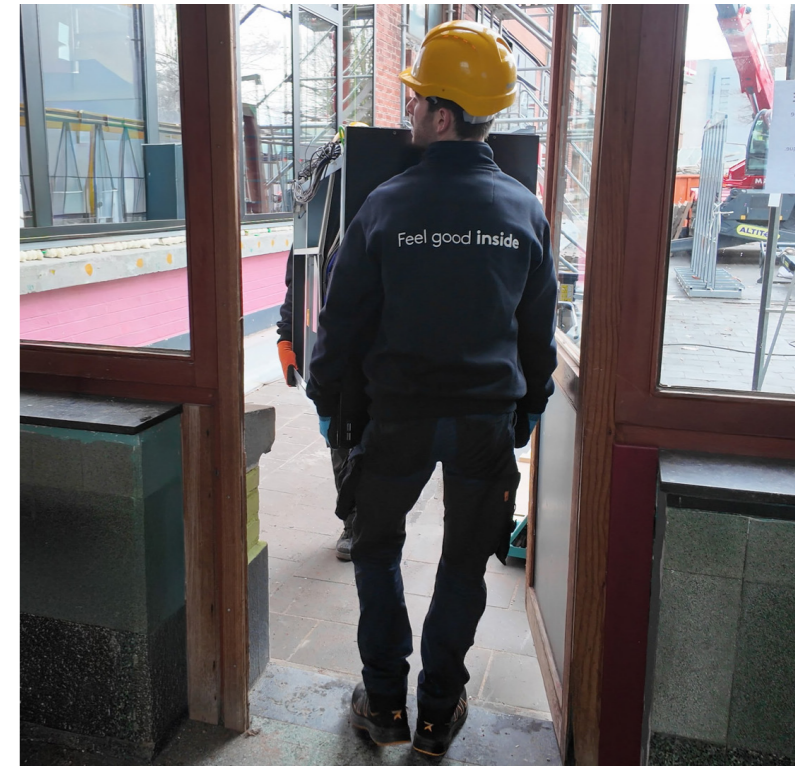
This staggered layout allows two operators to first engage the two rear threaded rods, then the two front ones, significantly simplifying and securing the mounting process.

EASY ACCESS

The door design provides a single technician with quick access to the unit's main components.

Mounted on hinges, the doors open smoothly and ensure straightforward access to the interior. The external fairings are mounted magnetically, enabling fast, tool-free installation.

Thanks to the easy-click magnetic system, panels can be attached or removed effortlessly for maintenance or inspection.

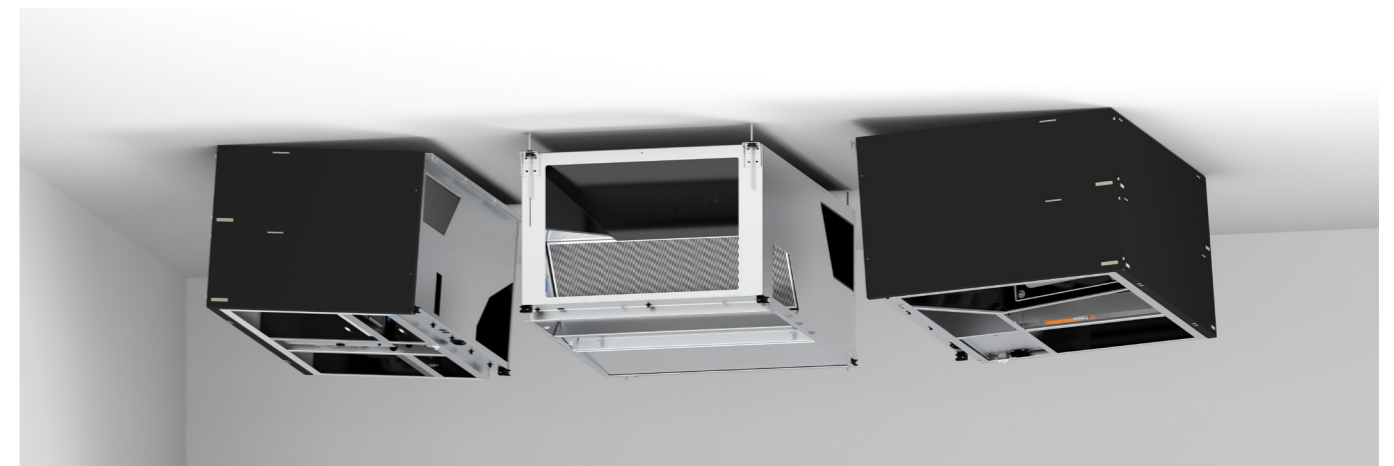


The fairings are shipped separately from the unit, reducing the risk of damage during transport.

ENTHALPIC HEAT EXCHANGER

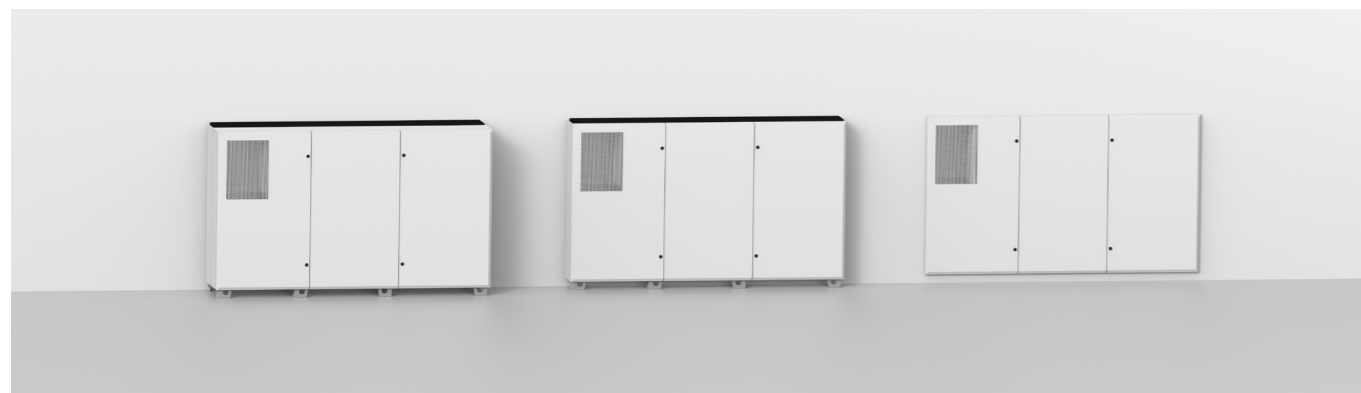
The enthalpic heat exchanger is available as an option and is systematically included in the vertical configuration.

Beyond allowing installation in humid environments, this feature also simplifies the installation process, as no condensate evacuation system is required.



SERENITY of integration

SERENITY was designed to be integrated into a building in 72 different ways. The unit can be installed on the ceiling or floor standing vertical and horizontal. Each installation can either be integrated, semi integrated or not integrated at all.



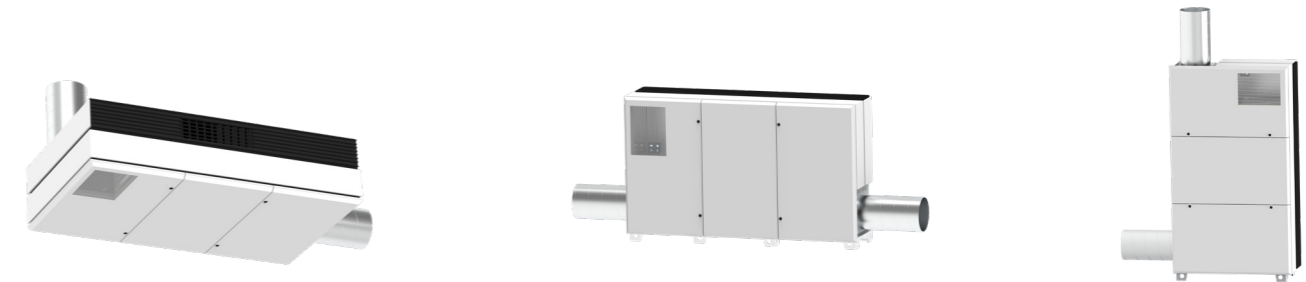
The « standard unit » is available in two configurations: top connection or straight connection. It is also possible to combine both, with one connection positioned at the top and the other in a straight configuration.

For example:



The « side unit » offers more connection possibilities; top, straight, and side. On both extract and supply, each configuration is possible.

For example:



The « side box » allows for dual connections on the same side.



COLORS

SERENITY is available in white (RAL 9016), with the grille remaining black, or in full black (RAL 9005). The front grille can be positioned on either the upper or lower half of the unit across all non-integrated configurations, providing maximum installation flexibility.



100% CUSTOMISABLE TO MATCH ALL YOUR PROJECTS

Today's buildings require equipment that not only delivers efficient ventilation but also integrates seamlessly into their architectural environment. That's why SERENITY has been designed with almost unlimited customisation possibilities.

You can personalise the appearance of the unit to align with architectural designs, corporate branding, or project-specific requirements. SERENITY can even become a whiteboard to spark children's creativity.

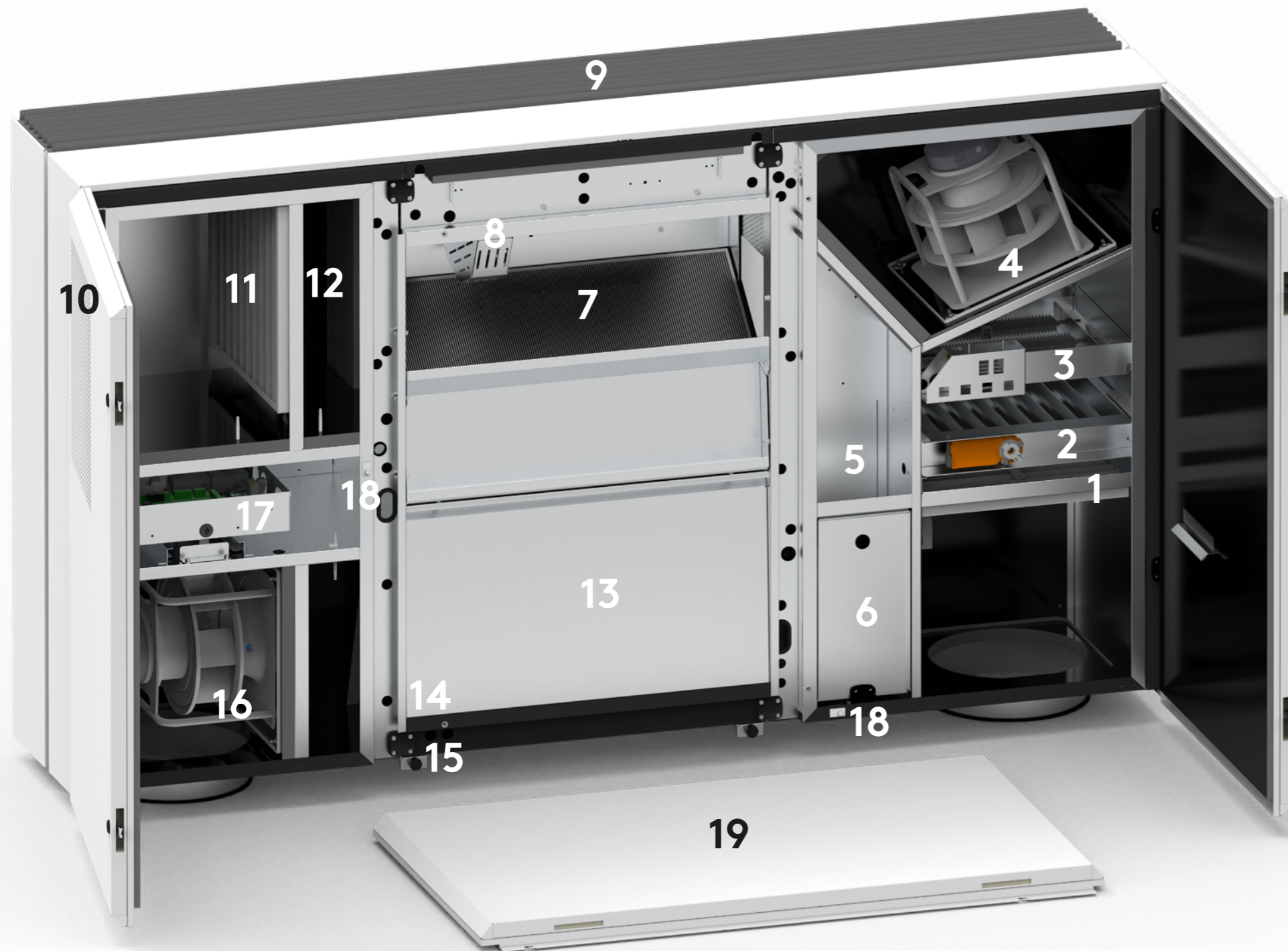


OCCUPANT WELL-BEING WITH SERENITY VERTICAL

SERENITY may be installed in a vertical orientation to integrate seamlessly within the space. In this configuration, the fins must be oriented upward. For optimal performance and comfort, we recommend maintaining a minimum clearance of 2 meters between the unit and occupied positions.



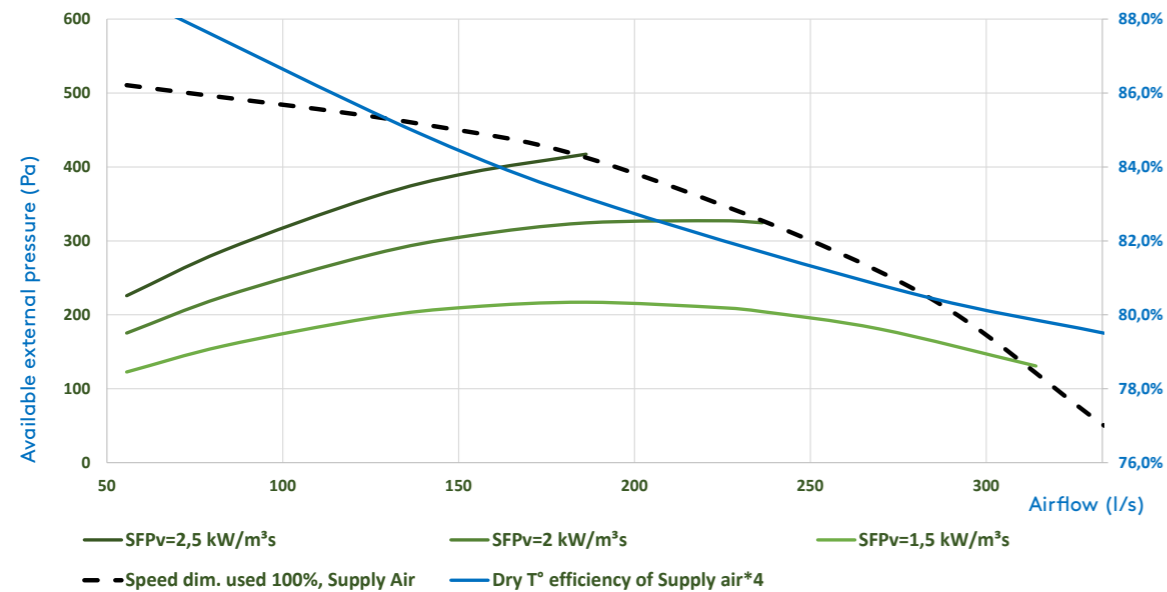
Components



1. Outdoor air filter
2. Outdoor air damper
3. Electric preheating*
4. Supply fan
5. Bypass
6. Electrical cabinet (power)
7. Plate heat exchanger
8. Electrical postheating* or reversible*/heating*/cooling* waterborne coi
9. Double deflection air diffuser grille
10. Extract grille
11. Extract air filter
12. Sensors: CO2*/humidity*
13. Condensate pan
14. Condensate pump
15. Condensate evacuation
16. Extract fan
17. Electrical cabinet (PCB) - Regulation box
18. Doors contacts (only on floor standings)
19. Central door

* available as an option

SERENITY 10



• AIRFLOW	200-1200 m³/h
	56-333 l/s
• NOISE LEVEL AT 1M	35dB(A) at 1000m³/h
• NOISE LEVEL AT 3M	30dB(A) at 1000m³/h
• DIMENSIONS L x W x H (mm)	1285/2230/545
• FOOT PRINT (HORIZONTAL VERTICAL) (m²)	1.22 0.71
• WEIGHT	300 kg
• ELECTRIC POWER SUPPLY	1 x 230 V
• MAX. POWER CONSUMPTION	5.3 A
• RECOMMENDED FUSE PROTECTION	D6A - 10kA - AC3
• FILTER CLASS (PLEATED FILTER)	ePM10 50%
• CIRCULAR DUCT CONNECTIONS	Ø 315 mm
• AMBIENT TEMPERATURE	-20 ... +40°C

AIRFLOW	Pa ext*1	SFPv*2	Speed dim.*3 used/max, Supply Air	Speed dim.*3 used/max, Exhaust Air	ABSORBED POWER*2	Dry T° efficiency of Supply air*4
m³/h	Pa	kW/m³/s	%	%	W	%
200	100	1,24	44	43	69	88%
500	100	0,97	59	58	135	84%
700	100	1,03	70	69	199	82%
1000	100	1,25	89	86	347	80%
1200	100	1,49	103	97	497	78%

Conditions

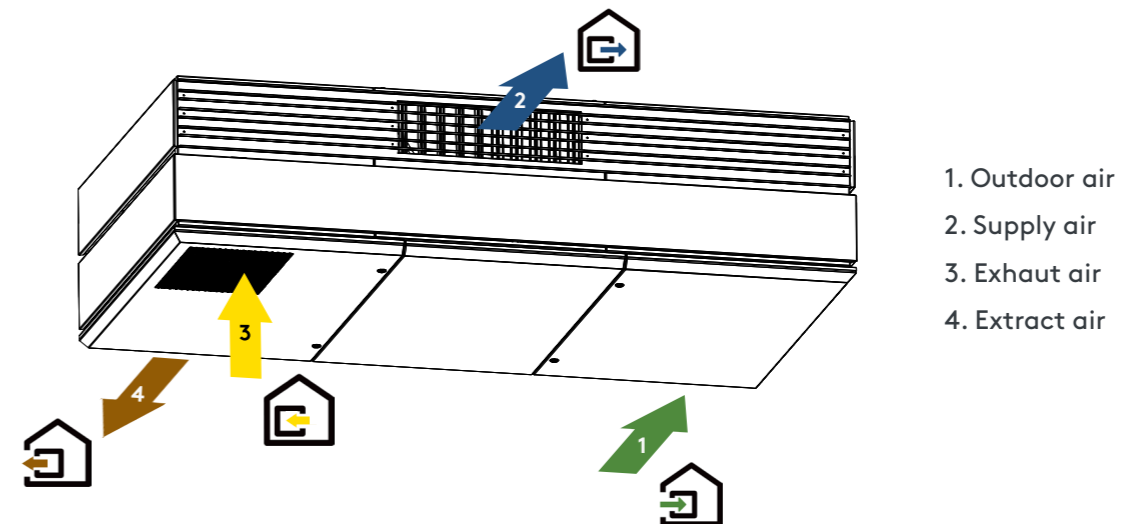
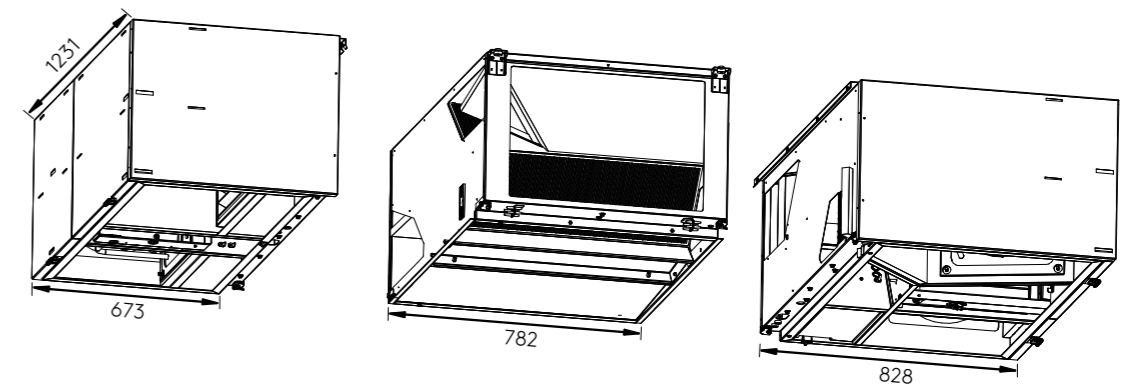
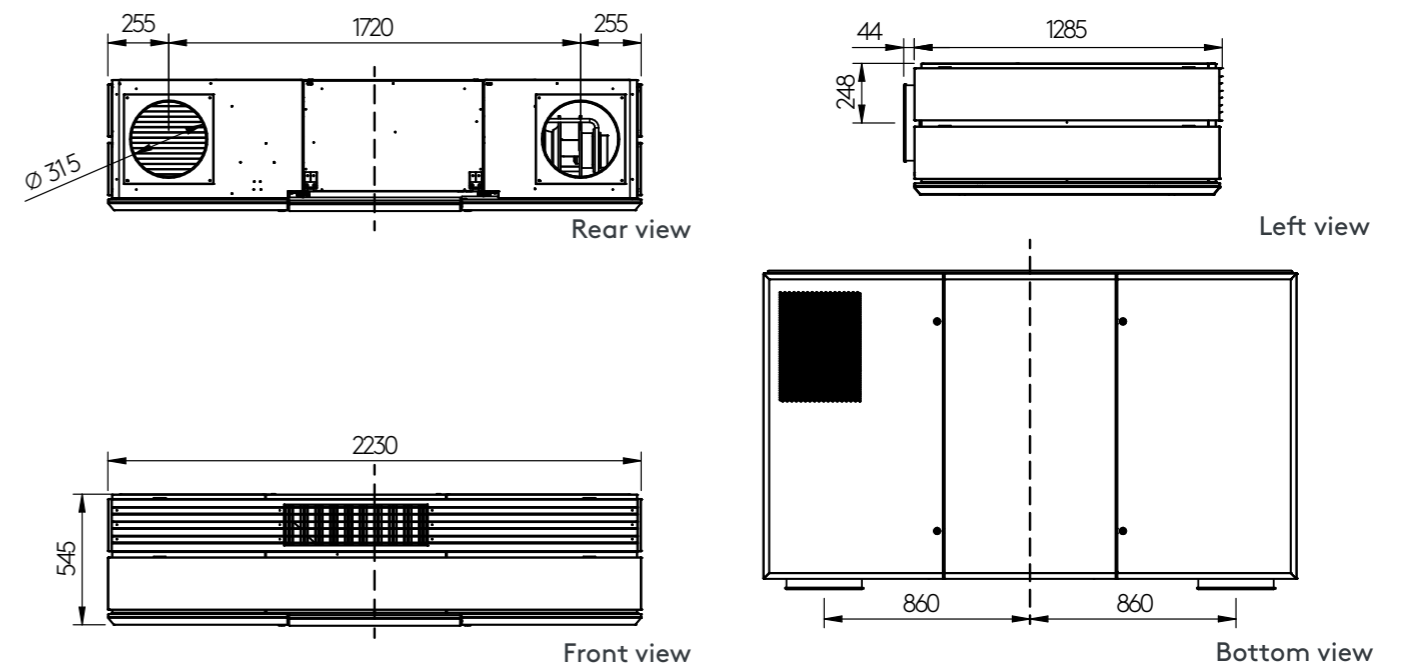
*1. Calculated values at 100 Pa of external pressure (0 SUP/100 ODA & 0 ETA/100 EHX)

*2. SFPv & Absorbed power calculated with clean filters

*3. Speed dim. is the maximal pressure available with semi-dirty filters

*4. T° efficiency following EN308

DIMENSIONS (MM)



Options

COMMUNICATION AND HMI



372194
TACtouch
TAC7



521412
BACnet
gateway



G020056
INSIDE Ready



025006
MODBUS



G020055
WIFI-
ETHERNET



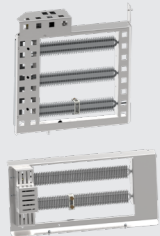
025045
SAT KNX

BUTTERFLY DAMPER



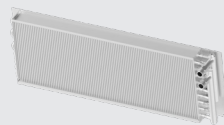
	CID	Dimensions (mm)
SERENITY 06	883873	Ø 250
SERENITY 08	883874	Ø 315
SERENITY 10	883874	Ø 315

ELECTRIC HEATING



	PREHEATING		POSTHEATING	
	CID	POWER	CID	POWER
SERENITY 06	883861	Coming soon	883862	Coming soon
SERENITY 08	883865	3 kW	883866	3 kW
SERENITY 10	883865	3 kW	883866	3 kW

WATERBORNE



	HEATING	COOLING
SERENITY 06	883864	Coming soon
SERENITY 08	883867	883868
SERENITY 10	883867	883868

FILTERS



	CID	Filter type Dimensions (mm)
SERENITY 06	Coming soon	Coming soon
SERENITY 08	125233	ePM1 60% 455 x 426 mm
SERENITY 10	125233	ePM1 60% 455 x 426 mm

SENSORS

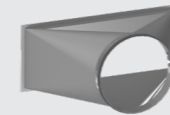
	CID				
	CO ₂	HUMIDITY	VOC	ROOM T°	CO ₂ WALL
SERENITY 06	Coming soon	Coming soon	Coming soon	Coming soon	Coming soon
SERENITY 08	883880	883879	Coming soon	370042	370015
SERENITY 10	883880	883879	Coming soon	370042	370015

KIT DEFROST



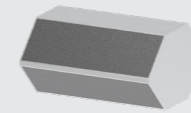
	CID
SERENITY 06	883889
SERENITY 08	883889
SERENITY 10	883889

CIRCULAR OUTLET FOR FULLY INTEGRATED CONFIGURATION



	CID
SERENITY 06	Coming soon
SERENITY 08	882726
SERENITY 10	882726

ENTHALPIC HEAT EXCHANGER



	CID
SERENITY 06	Coming soon
SERENITY 08	115333
SERENITY 10	115333

Feel good **inside**

