

# FUNCTIONAL DIAGRAM Ventilation unit

## Automation

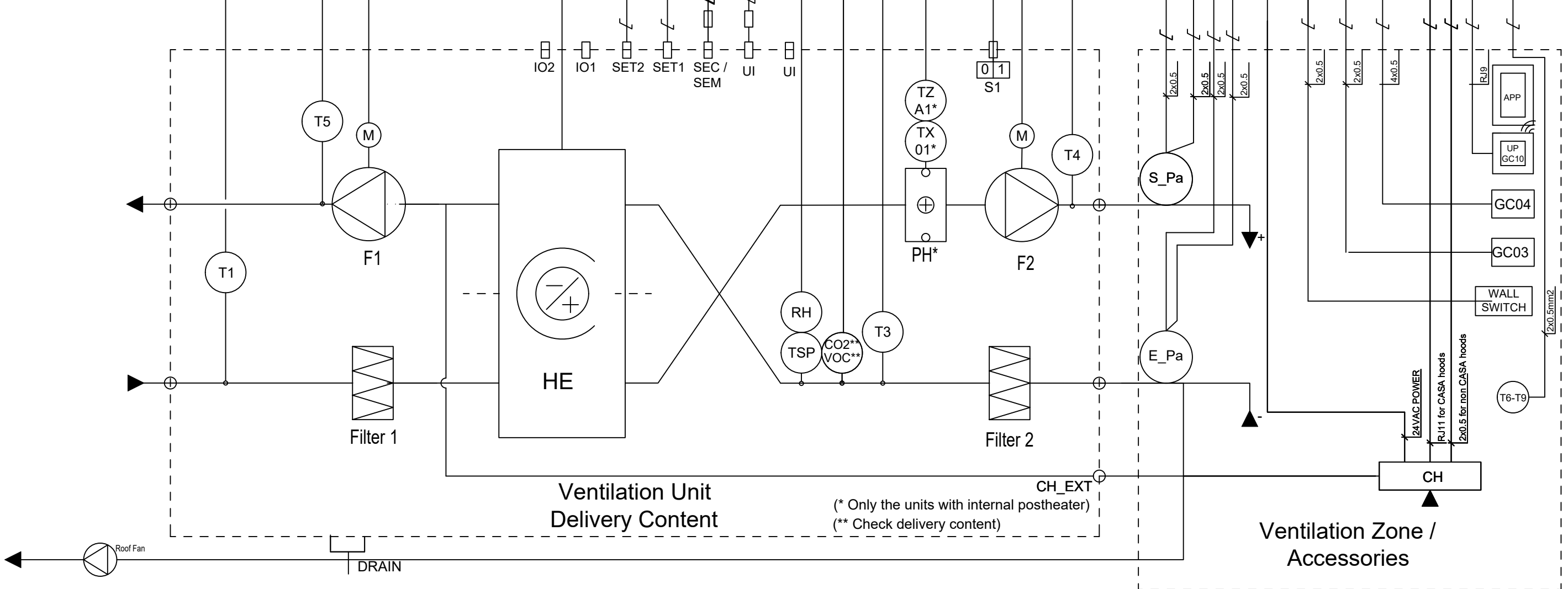
|                        |  |  |  |  |  |
|------------------------|--|--|--|--|--|
| ALARM DI / Modbus      |  |  |  |  |  |
| UNIT STATE DI / Modbus |  |  |  |  |  |
| MEASUREMENT AI/Modbus  |  |  |  |  |  |
| CONTROL DO / Modbus    |  |  |  |  |  |
| CONTROL AO / Modbus    |  |  |  |  |  |

- \* CONFIGURATION AT SITE
- ∟ CONNECTION AT SITE
- ◆ HARDWARE CONNECTION
- ◇ PROGRAM FUNCTION

## Electrical cabinet

|                      |  |  |  |  |  |
|----------------------|--|--|--|--|--|
| 230VAC 50Hz 10A      |  |  |  |  |  |
| UI                   |  |  |  |  |  |
| IO1 / IO2*           |  |  |  |  |  |
| SEC/SEM IO3-IO4,AO4* |  |  |  |  |  |
| SEC/SEM Modbus*      |  |  |  |  |  |
| SET                  |  |  |  |  |  |

|             |  |  |  |  |  |
|-------------|--|--|--|--|--|
| ALARM       |  |  |  |  |  |
| UNIT STATE  |  |  |  |  |  |
| MEASUREMENT |  |  |  |  |  |
| CONTROL     |  |  |  |  |  |
| CONTROL AO  |  |  |  |  |  |



(\* Only the units with internal postheater)  
(\*\* Check delivery content)

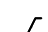

|               |         |
|---------------|---------|
| SUUNN.        | VERSIO. |
| XX            | 2.16    |
| PVM.          |         |
| 1.6.2026      |         |
| ALLEKIRJOITUS |         |

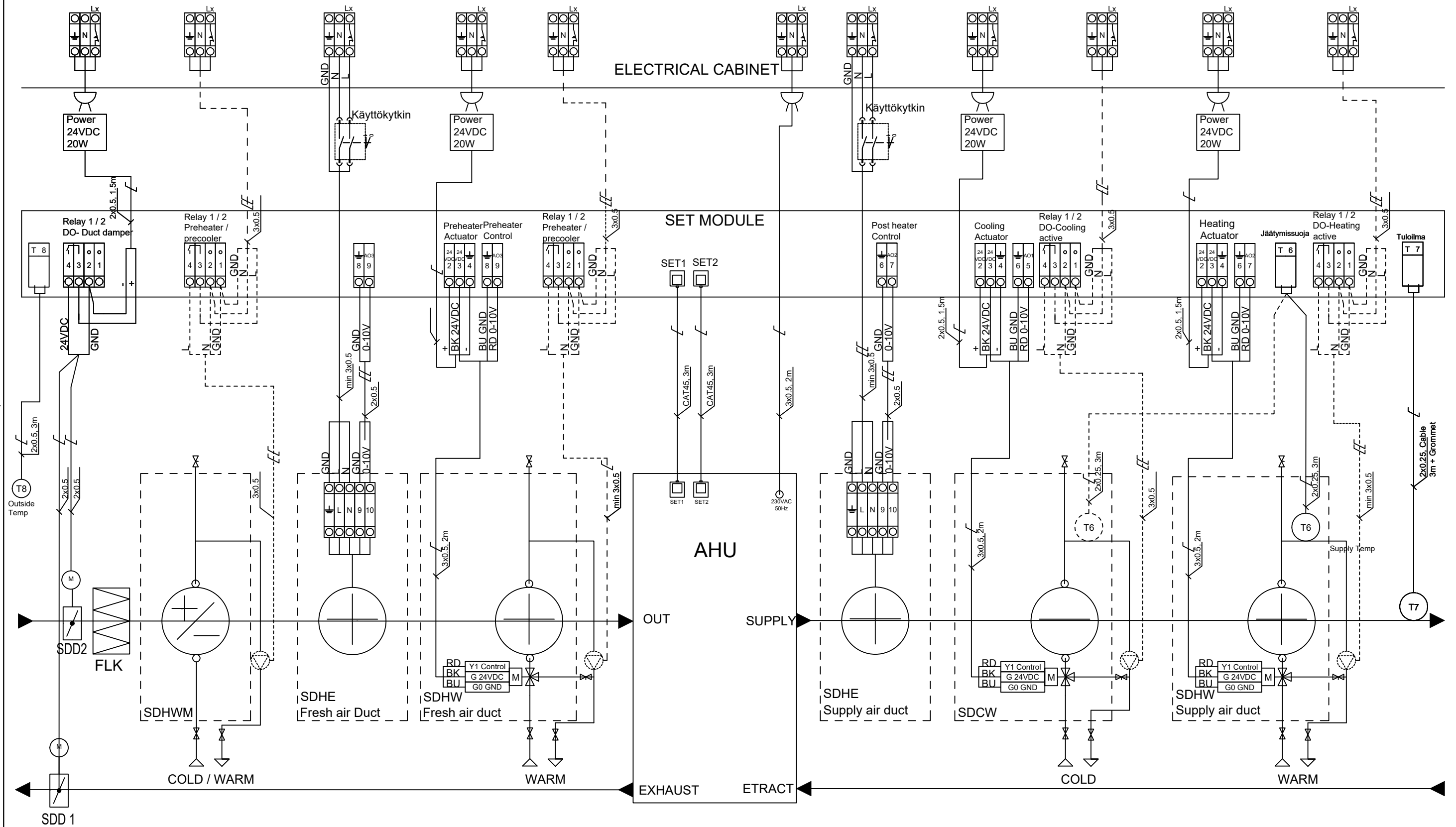
DIAGRAM  
SWEGON CASA  
Ventilation unit

**R3  
Genius**

|  |          |              |
|--|----------|--------------|
| SUUNNITTELUALA, TYÖN JA PIIRUSTUKSEN N:O |          | MUUTOS       |
| LVI                                      |          |              |
| LEHTI                                    | LEHDISTA | TILAAJAN N:O |
|  | 1 / 7    |              |

# FUNCTIONAL DIAGRAM Duct accessories

 CONNECTION AT SITE, CABLES INCLUDED IN DELIVERY  
 CONNECTION AND CABLES AT SITE



|               |         |
|---------------|---------|
| SUUNN.        | VERSIO. |
| XX            | 2.16    |
| PVM.          |         |
| 1.6.2026      |         |
| ALLEKIRJOITUS |         |

DIAGRAM  
 SWEGON CASA  
 Duct Accessories

**R3**  
**Genius**

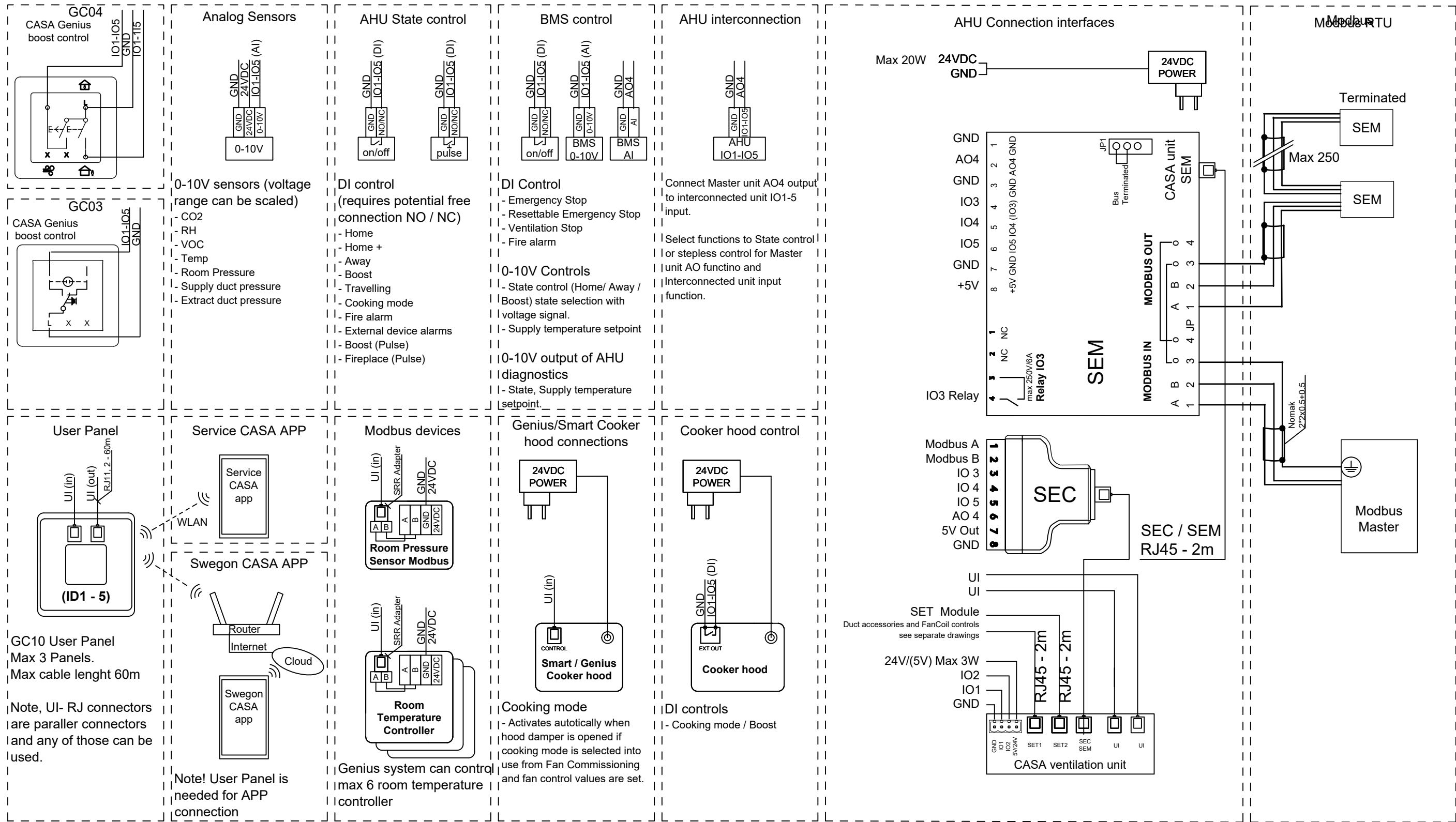
|  |          |              |
|--|----------|--------------|
| SUUNNITTELUALA, TYÖN JA PIIRUSTUKSEN N:O |          | MUUTOS       |
| LVI                                      |          |              |
| LEHTI                                    | LEHDISTÄ | TILAAJAN N:O |
|  | 2 / 7    |              |

## DEVICE LIST Ventilation unit

| Identifier  | Description  | Modbus                 |
|---|--|------------------------|
| T1  | Temperature sensor Outdoor air   | 3x6201 (0,1°C)         |
| T3/TSP  | Temperature sensor Extract air (T3 sensor only revA units)   | 3x6204 (0,1°C)         |
| T4  | Temperature sensor Supply air  | 3x6203 (0,1°C)         |
| T5  | Temperature sensor Exhaust air   | 3x6205 (0,1°C)         |
| RH  | Humidity sensor Extract air. Function: RH Automation(standard)   | 3x6214 (%)             |
| CO2   | Carbon dioxide sensor, function: CO2 automation (Accessory)  | 3x6213(ppm)            |
| VOC   | VOC sensor, function: VOC automation (Accessory)   | 3x6217(ppm)            |
| TZ01*   | Manual reset overheat protection 70 C. Activation of the overheat protection shuts down the heater and triggers an alarm.                              | TZ01 3x6117            |
| TZA1*   | Automatic reset overheat protection 55 C. Activation of the overheat protection shuts down the heater and triggers an alarm.                           | TZA1 3x6117            |
| Filter 1  | Outdoor air filter ISO ePM1 50% (F7). Activate the service reminder to ensure the unit alerts when the filter needs replacement.                       | 3x6129                 |
| Filter 2  | Exhaust air filter ISO ePM1 50% (F7). Activate the service reminder to ensure the unit alerts when the filter needs replacement.                       | 3x6129                 |
| F1  | Extract fan(L) /Supply fan (R) equipped with internal overheat protection. See air flow direction  | 3x6304(%), 3x6306(rpm) |
| F2  | Supply fan(L) /Extract fan (R) equipped with internal overheat protection. See air flow direction  | 3x6303(%), 3x6305(rpm) |
| PH*   | Post heater (400W / 700W), stepless and demand-controlled.   | 3x6317 (%)             |
| HE  | Rotating heat exchanger (Rotor)  |                        |
| HE M  | Heat exchanger motor with stepless speed control based on supply air temperature   | 3x6332 (0.1rpm)        |
| S1  | Service switch. Note! During maintenance work, the unit must be disconnected from power by unplugging the power cord.                                  |                        |
| CH_EXT  | Bypass duct for heat exchanger. Note! Do not connect general exhaust to this; connect the hood status signal to the ventilation unit. (Factory-sealed) |                        |
| DRAIN   | Condensate drainage. Connect a water trap and drain hose to the condensate connection. Check the operation of the water trap.                          |                        |
| (* Only for units with internal post-heating element) |  |                        |

|  |               |          |  |                            |   |          |              |
|--|---------------|----------|--|----------------------------|---|----------|--------------|
|  | SUUNN.        | VERSIO.  | DEVICE LIST<br>SWEGON CASA<br>Ventilation unit | <b>R3</b><br><b>Genius</b> | SUUNNITTELUALA, TYÖN JA PIIRUSTUKSEN N:O MUUTOS |          |              |
|  | XX            | 2.16     |  |                            | LVI   |          |              |
|  | PVM.          | 1.6.2026 |  |                            | LEHTI   | LEHDISTÄ | TILAAJAN N:O |
|  | ALLEKIRJOITUS |          |  |                            | 3 / 7   |          |              |

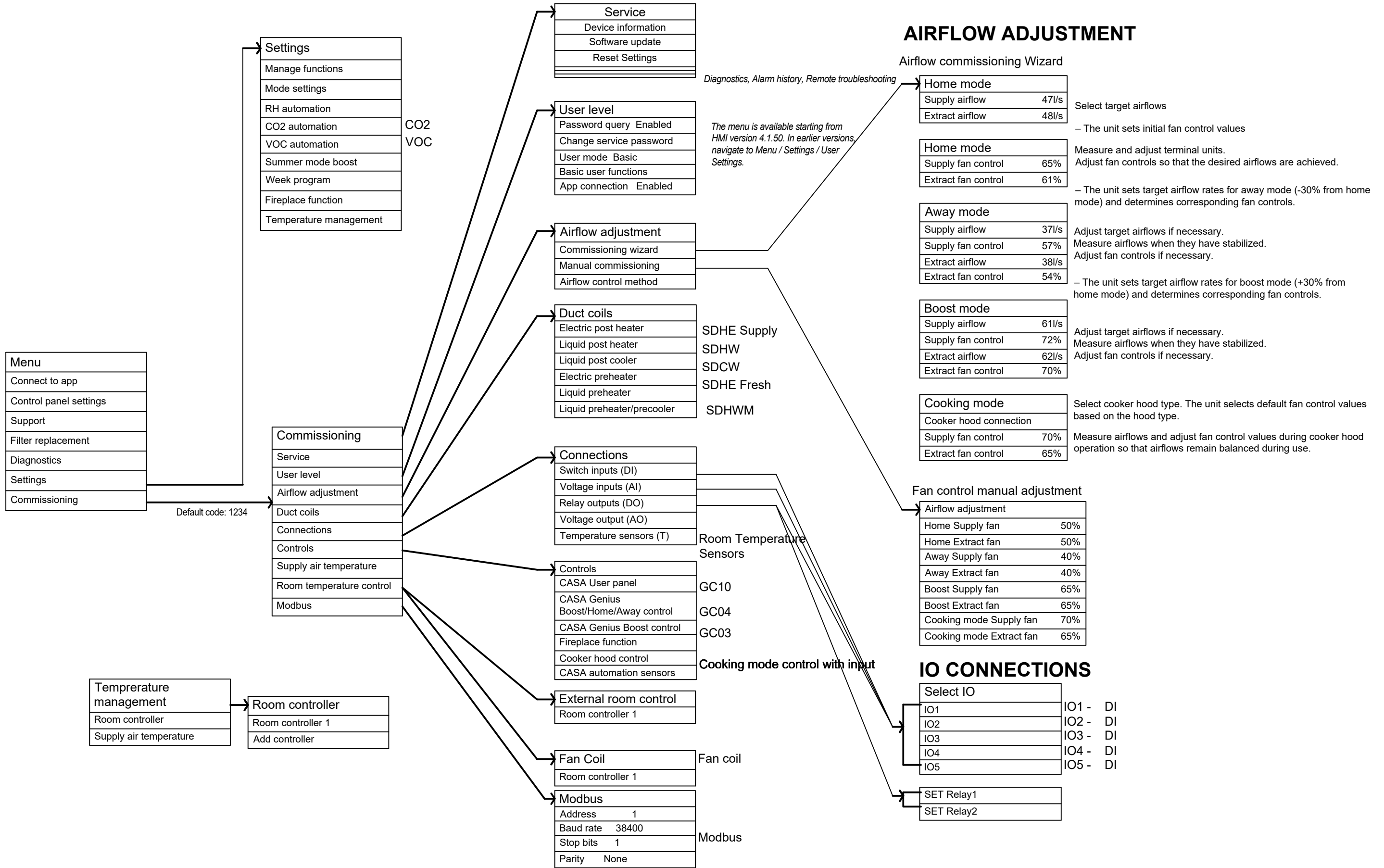
# AHU External Connections



Note! External connection must be configured by using the control panel or by modbus. Commissioning menu code is 1234 by default.

|               |  |              |  |   |  |                      |  |   |  |
|---------------|--|--------------|--|---|--|----------------------|--|---|--|
| SUUNN. XX     |  | VERSIO. 2.16 |  | CONNECTIONS<br>SWEGON CASA<br>Accessories |  | <b>R3<br/>Genius</b> |  | SUUNNITTELUALA, TYÖN JA PIIRUSTUKSEN N:O MUUTOS |  |
| PVM. 1.6.2026 |  |              |  |   |  |                      |  | LVI   |  |
| ALLEKIRJOITUS |  |              |  |   |  |                      |  | LEHTI LEHDISTÄ 4 / 7 TILAAJAN N:O               |  |

# CONFIGURATION



|               |          |
|---------------|----------|
| SUUNN.        | VERSIO.  |
| XX            | 2.16     |
| PVM.          | 1.6.2026 |
| ALLEKIRJOITUS |          |

CONFIGURATION  
SWEGON CASA

# R3 Genius

|  |          |              |
|--|----------|--------------|
| SUUNNITTELUALA, TYÖN JA PIIRUSTUKSEN N:O |          | MUUTOS       |
| LVI                                      |          |              |
| LEHTI                                    | LEHDISTÄ | TILAAJAN N:O |
|  | 5 / 7    |              |

# FUNCTIONAL DESCRIPTION GENIUS CONTROL SYSTEM

## CONTROL:

The ventilation unit's operating modes can be controlled via the Genius control panel, Swegon CASA cooker hood, Swegon CASA APP (iOS, Android), external switches, weekly timer, or CO<sub>2</sub> automation.

Operating modes can also be controlled via building automation using the Modbus RTU bus or voltage / digital input control signals. The basic operating modes are Away / Home / Boost. Additionally, the control panel or automation can be used to select Travelling, Home+, or Stop modes.

For the Travelling and Home+ modes, the user can define the desired ventilation power levels.

## Fan control:

The fans are controlled either by fixed-speed control or by duct pressure\*, according to the operating modes adjusted during commissioning.

When the fans are controlled automatically with smooth transitions between different modes, the fan control signals are scaled based on the adjusted modes, ensuring balanced airflow throughout the entire operating range.

## Temperature control:

The ventilation unit is equipped with a steplessly controlled rotary heat exchanger. The supply air temperature can be adjusted by controlling the rotation speed of the heat exchanger. The setpoint for the supply air temperature can be selected from the control panel (default: +17 °C). In summer mode, the unit uses a dedicated supply air temperature setpoint (default: +15 °C).

Summer mode is activated automatically based on temperature conditions or can be manually enabled or disabled from the control panel.

If a cooling coil\* is installed in the supply air duct, the cooling valve is controlled steplessly. The cooling mode's supply air setpoint can be selected from the control panel. Note that cooling mode can only be activated when summer mode is active.

In winter mode, bypassing the heat exchanger is not allowed, and the unit maintains the set supply air temperature by controlling the reheater. An outdoor temperature limit (default: +8 °C) can be defined for the internal electric reheater.

If a water-based reheating coil is installed in the supply duct, it is prioritized, and the internal heater is used only if the water coil's power is insufficient.

Winter mode is activated based on outdoor temperature or when the heat exchanger is unable to maintain a sufficiently high supply air temperature. If the reheaters cannot maintain the supply temperature (temperature difference to setpoint exceeds -2 °C), the total airflow is reduced.

The supply air setpoint can be adjusted from the control panel, by automatic summer mode logic, or via building automation. In winter mode, the setpoint can be lowered in Away and Vacation modes to save energy. These modes can be scheduled using the weekly timer. Alternatively, the supply air temperature can be controlled based on room air temperature. In this case, the desired room temperature and supply air limits are set. When summer mode is active, the supply air temperature setpoint switches to a fixed summer setpoint.

## Summer mode boost:

When summer mode is active, stepless ventilation boost is allowed. The boost level is determined based on the cooling demand and the supply air temperature. This function is enabled by default but can be disabled from the control panel or set to Auto+ mode, which maximizes airflow to enable night cooling.

## Cooking mode:

For cooking mode, the supply and extract fan speeds can be adjusted separately, allowing the ventilation to be balanced during cooker hood use. The function is activated automatically when a Swegon CASA cooker hood is connected to the unit or when the hood's status signal is connected to the unit's IO input. Airflows can be adjusted in the commissioning mode.

## Fireplace function:

The intelligent fireplace function makes it easier to light a fire by creating a temporary overpressure in the building. After that, the function aims to enable clean combustion by supplying additional compensation air.

Note: It is always necessary to ensure sufficient compensation air for the fireplace. More information available at [casaemmanual.com](http://casaemmanual.com)

## RH automation:

The unit comes equipped with standard RH automation, which boosts ventilation steplessly according to the normal humidity load caused by human activity. The function is fully automatic and adapts to the environment, so no manual adjustment is required. The response level of the function can be modified if necessary. More information is available at [casaemmanual.com](http://casaemmanual.com)

## CO<sub>2</sub> automation:

The function adjusts the ventilation level steplessly based on CO<sub>2</sub> levels. If necessary, the function switches the unit to away mode, allowing, for example, a lower supply air temperature. The function must be configured according to the operating mode by setting CO<sub>2</sub> threshold values for both away and home modes. More information is available at [casaemmanual.com](http://casaemmanual.com)

## VOC automation:

The function boosts ventilation steplessly based on indoor air quality (VOC). The function is automatic, and its response level can be adjusted if necessary. More information is available at [casaemmanual.com](http://casaemmanual.com)

\*Assessory

## COMPONENT INTERNAL PROTECTION FUNCTIONS

### Electrical heaters:

Electrical heaters are equipped with automatic and manual resettable overheating protection. Manual resettable protection can be reset by pressing reset button.

### Fans:

Fans are equipped with internal automatic overheating protection.

### Software-based protection functions

### Filters:

The service reminder indicates the need to replace the filter on the control panel, Swegon CASA cooker hood, as a DO status signal, or via the Modbus communication bus. The service reminder interval is adjustable and can be reset from the user interface.

### Water coils

Water coils are equipped with a frost protection sensor. If the water temperature drops below the alarm limit, a freezing risk alarm is activated, and heating is set to maximum. If the unit includes an electric reheater, it will be set to full power. If the temperature continues to drop below the shutdown limit despite protection measures, the unit is switched to stop mode.

Note: A ventilation unit with a water coil must always be equipped with an external outdoor air duct damper. When the unit is in stop mode, external dampers are closed.

Note: If water is used in the cooling coil, a frost protection sensor must be installed and activated.

### Heat Exchanger:

The unit features a defrosting function based on temperature and humidity. Defrosting is carried out by reducing the rotation speed of the heat exchanger, allowing warm extract air to melt the frost in a controlled manner. During defrosting, airflow rates are limited if necessary to prevent the supply air temperature from dropping too low.

### Supply air temperature

If the supply air becomes too cold due to a fault, the unit is switched to stop mode.

The unit restarts automatically once the temperature has risen to a safe level.

### Electrical heaters:

The heating elements are equipped with diagnostics that monitor their operation.

If the overheat protection trips repeatedly or does not reset, the heating is disabled, and power to the elements is cut off via the built-in relay.

## ALARMS

Any faults in the operation of the ventilation unit are indicated as alarms. Alarms are displayed on the control panel, in the Swegon CASA APP, as a DO status signal, and via the Modbus communication bus.

Critical faults are also indicated on the CASA cooker hood. Once the fault is cleared, no manual reset is required, but the event is stored in the unit's alarm log.

|  |               |          |   |               |   |          |              |
|--|---------------|----------|---|---------------|---|----------|--------------|
|  | SUUNN.        | VERSIO.  | DESCRIPTION<br><b>R3</b><br>SWEGON CASA<br>Ventilation unit | <b>Genius</b> | SUUNNITTELUALA, TYÖN JA PIIRUSTUKSEN N:O MUUTOS |          |              |
|  | XX            | 2.16     |   |               | LVI   |          |              |
|  | PVM.          | 1.6.2026 |   |               | LEHTI   | LEHDISTÄ | TILAAJAN N:O |
|  | ALLEKIRJOITUS |          |   |               | 6 / 7   |          |              |

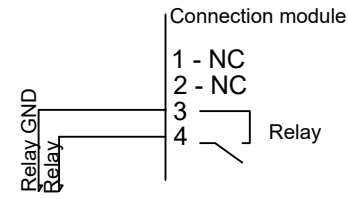
## DEVICE LIST Accessories

| Device ID | Description   |
|-----------|---|
| CO2       | Carbon dioxide sensor, function: CO2 automation   |
| VOC       | VOC sensor, function: VOC automation  |
| T6-T9     | Temperature sensor. Connection to SET module. The sensor must be defined in the control panel.  |
| SEM       | Modbus extension module (includes 2 m RJ-45 cable)  |
| SEC       | IO extension module (includes 2 m RJ-45 cable)  |
| SET       | Connection module for duct heater actuators and temperature sensors (includes 2 × 3 m RJ-45 cables)   |
| SDCW      | Cooling coil for the supply air duct (includes SET, Power24VDC20W, three-way valve + actuator, duct coil, sensors)  |
| SDHE      | Electric heating coil for outdoor/supply air duct (includes SET, duct coil, sensors)<br>Note! A duct filter (FLK) is required for the preheater.  |
| SDHW      | Heating coil for the supply air duct (includes SET, Power24VDC20W, three-way valve + actuator, duct coil, sensors)  |
| SDHWM     | Ground source duct coil for preheating/cooling in the outdoor air duct (includes SET, duct coil, sensor)  |
| FLK       | Duct filter for use with the electric preheater (SDHE)  |
| SD1, SD2  | Duct damper for outdoor air / exhaust air duct  |
| S_PA,E_PA | Constant duct pressure control for supply / exhaust air duct. Note Power24VDC20W must supplied separately.  |
| GC10      | Genius control panel, which can be connected via Wi-Fi to the Swegon CASA app.  |
| GC04      | Control switch for selecting boost, home, and away modes.   |
| GC03      | Control switch for selecting boost modes.   |
| CH        | Cooker hood. The CASA hood is connected to the ventilation unit with a modular cable. Other cooker hoods can control the cooker hood function via a switch input defined for this function. |
| SWITCH    | Control switch, occupancy sensor, fireplace switch, and pressure switch for controlling various functions (Away, Boost, Fireplace, Stop functions)  |

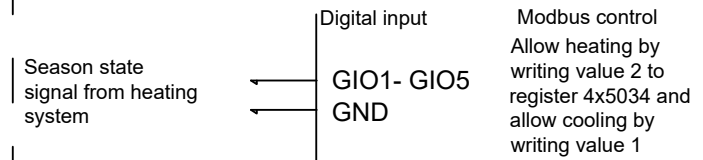
|  |               |          |   |                            |  |          |              |
|--|---------------|----------|---|----------------------------|--|----------|--------------|
|  | SUUNN.        | VERSIO.  | DEVICE LIST<br>SWEGON CASA<br>Accessories | <b>R3</b><br><b>Genius</b> | SUUNNITTELUALA, TYÖN JA PIIRUSTUKSEN N:O |          | MUUTOS       |
|  | XX            | 2.16     |   |                            | LVI                                      |          |              |
|  | PVM.          | 1.6.2026 |   |                            | LEHTI                                    | LEHDISTÄ | TILAAJAN N:O |
|  | ALLEKIRJOITUS |          |   |                            | 7 / 7                                    |          |              |

# Functional diagram Room temperature control Fan Coil 2-Pipe system

24VAC Relay connection to SET and SEC/SEM module

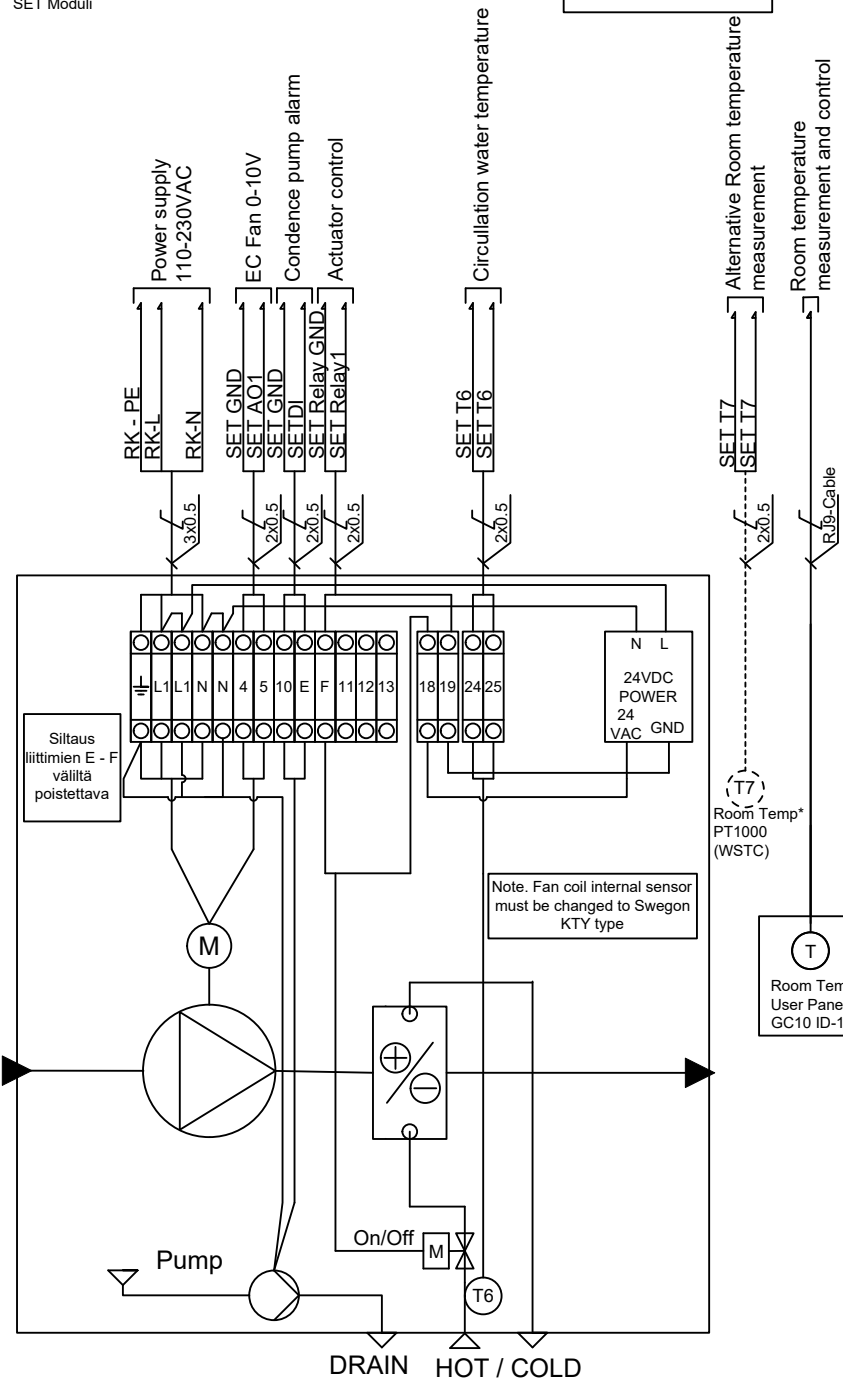


Season selection with external system



## FAN COIL 1

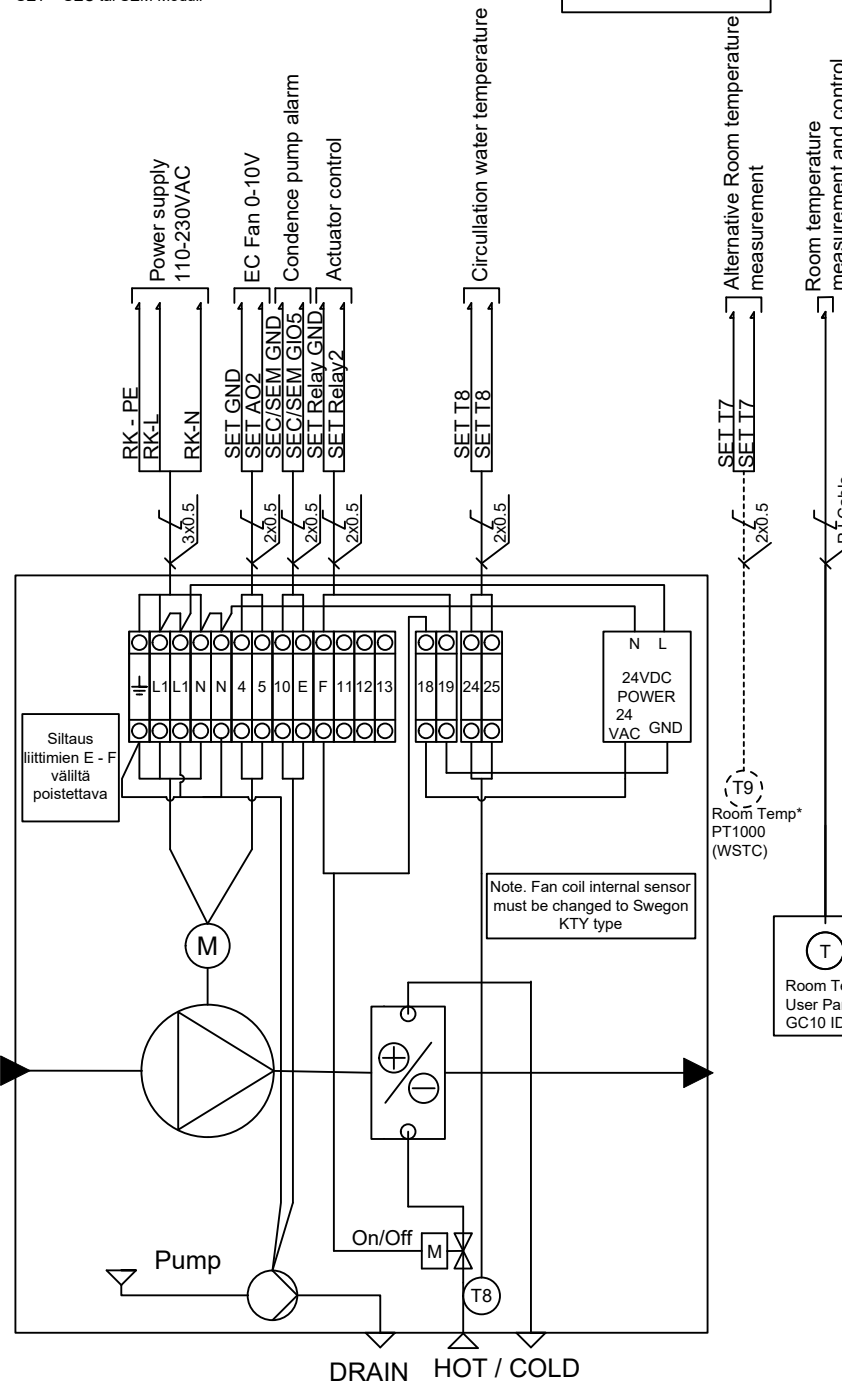
Ilmanvaihtokoneen  
kytkentäräjäpinta:  
SET Moduuli



Note. Temperature sensor connection to SET Module requires sensor connector cable.

## FAN COIL 2

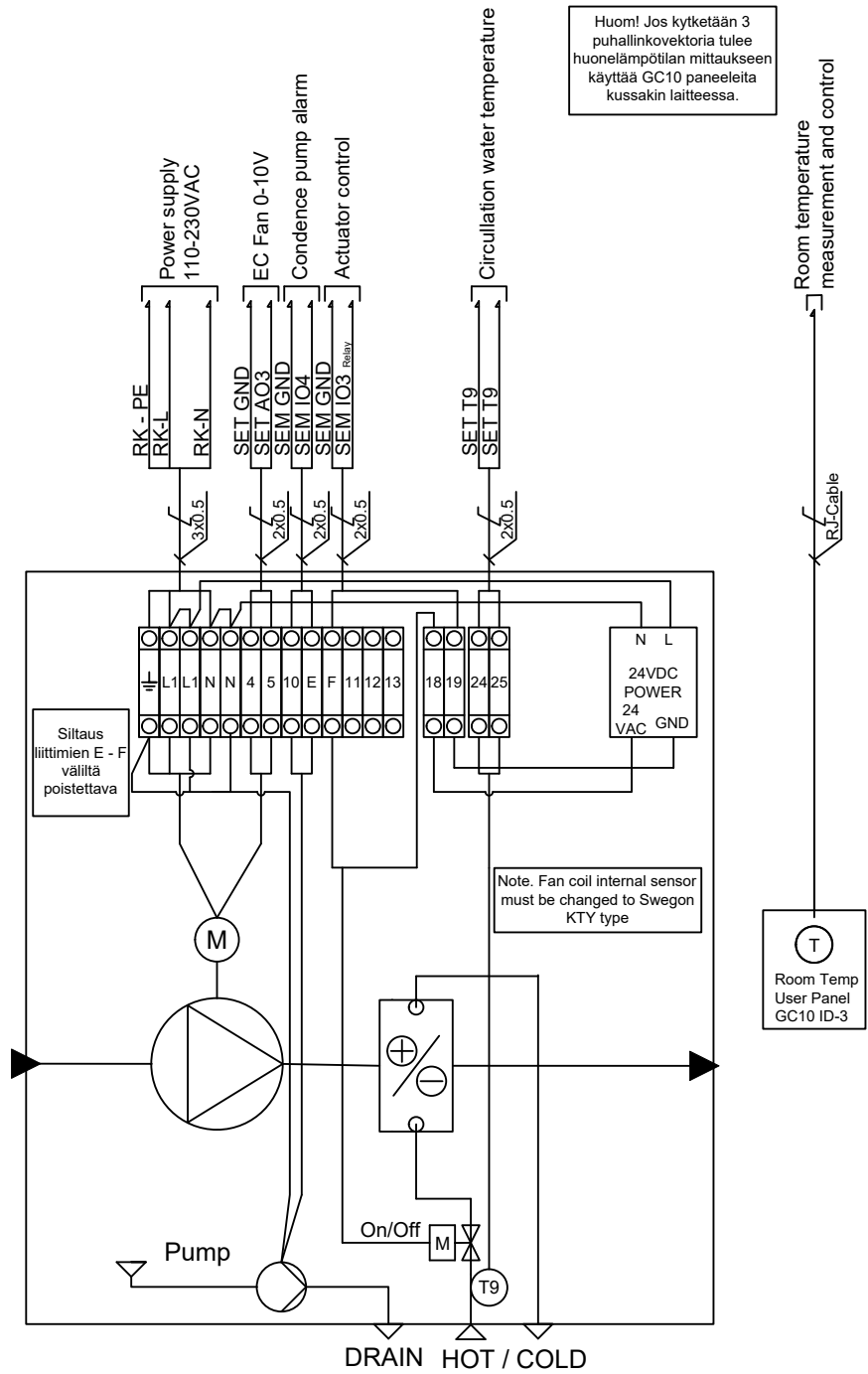
Ilmanvaihtokoneen  
kytkentäräjäpinta:  
SET + SEC tai SEM Moduuli



Note. Temperature sensor connection to SET Module requires sensor connector cable.

## FAN COIL 3

Ilmanvaihtokoneen  
kytkentäräjäpinta:  
SET + SEM Moduuli



Note. Temperature sensor connection to SET Module requires sensor connector cable.

Huom! Jos kytketään 3 puhallinkonevektoria tulee huonelämpötilan mittaukseen käyttää GC10 paneeleita kussakin laitteessa.

|               |         |
|---------------|---------|
| SUUNN.        | VERSIO. |
| XX            | 2.16    |
| PVM.          |         |
| 1.6.2026      |         |
| ALLEKIRJOITUS |         |

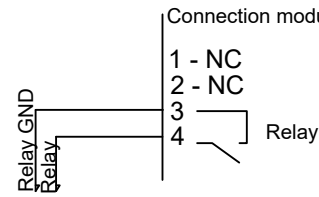
DIAGRAM  
SWEGON CASA  
FAN COIL

|  |          |
|--|----------|
| SUUNNITTELUALA, TYÖN JA PIIRUSTUKSEN N:O | MUUTOS   |
| LVI                                      |          |
| LEHTI                                    | LEHDISTÄ |
|  | 1 / 3    |
| TILAAJAN N:O                             |          |

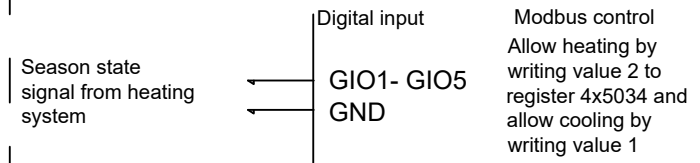
# Functional diagram Room temperature control

## Fan Coil 4-Pipe system

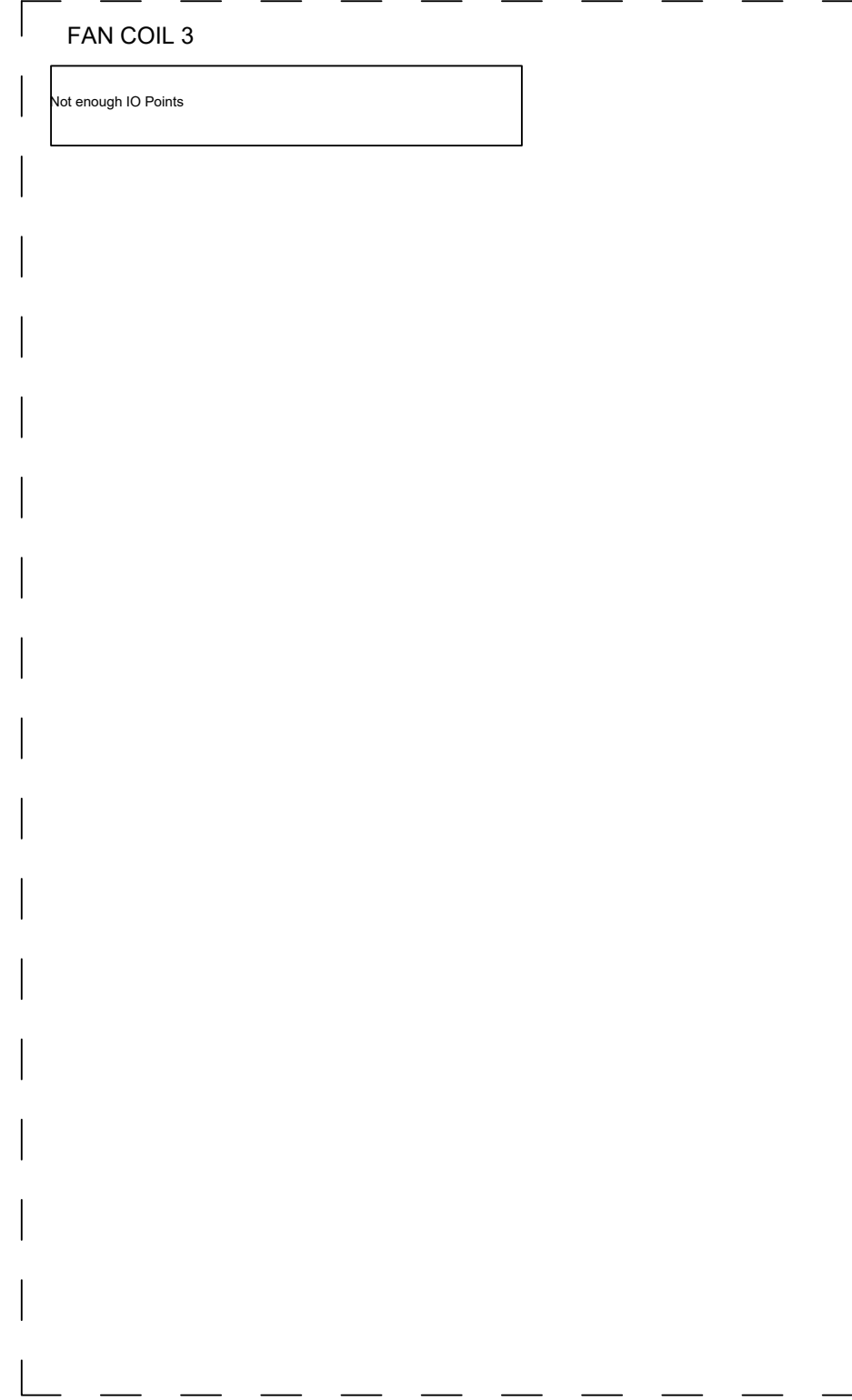
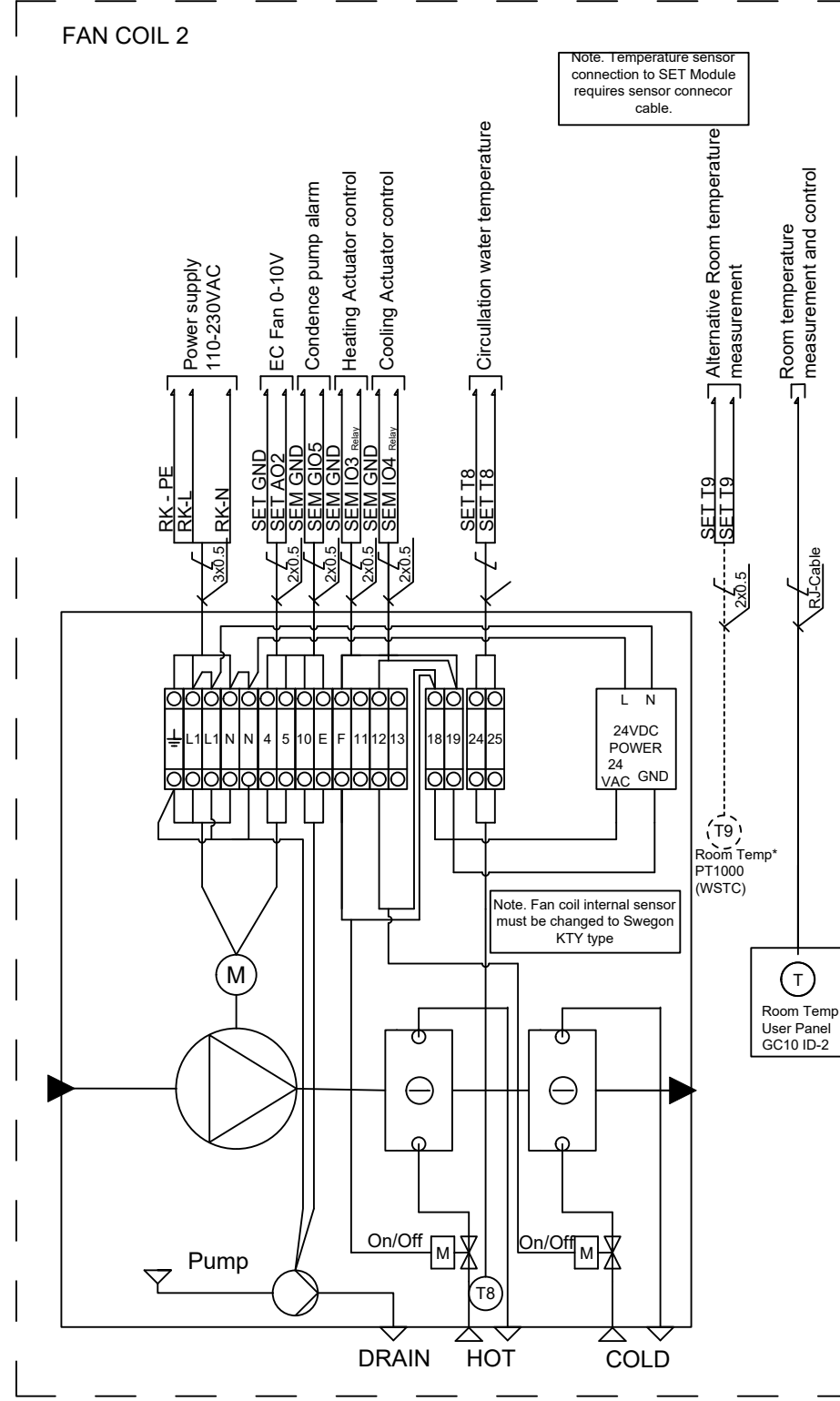
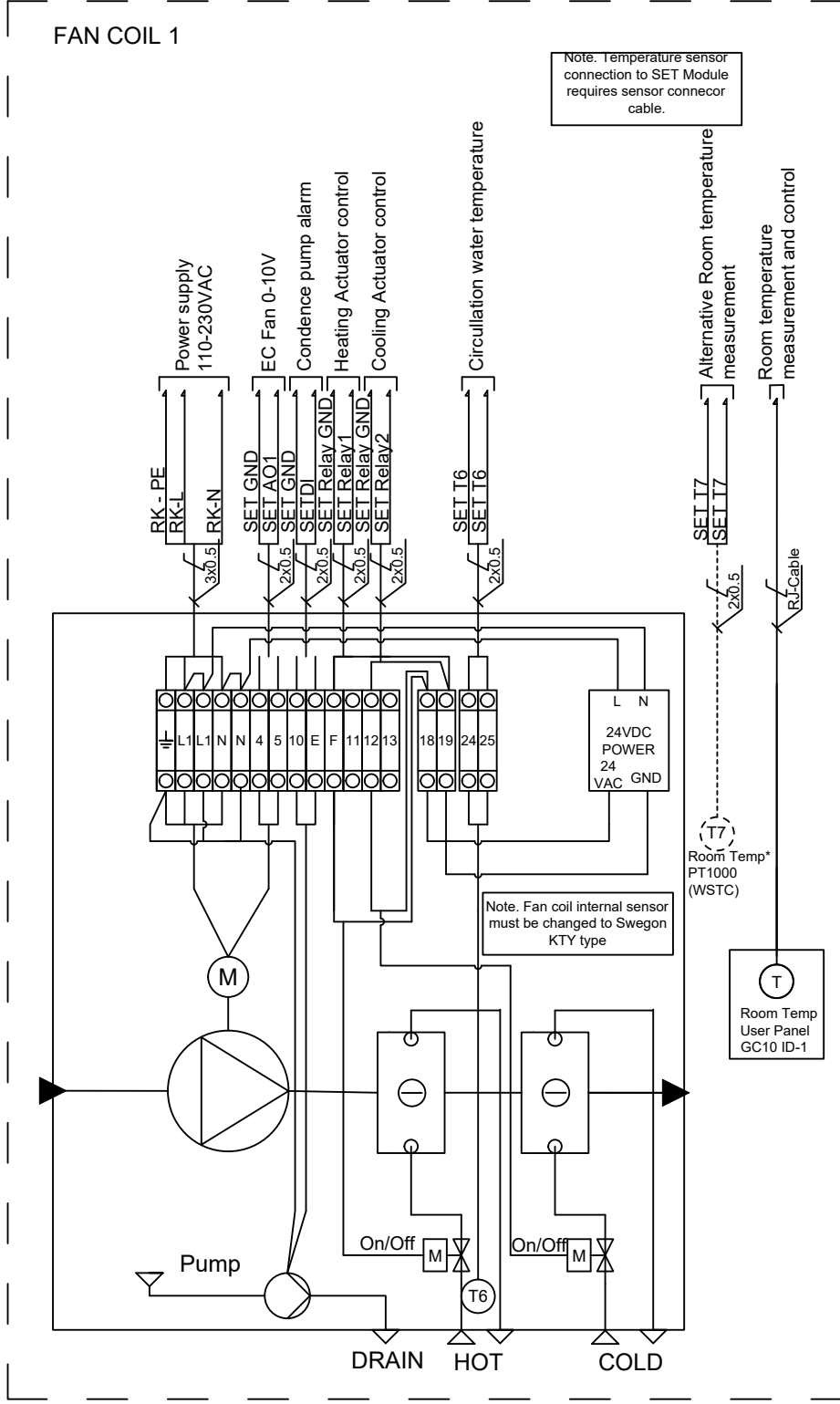
24VAC Relay connection to SET and SEC/SEM module



Season selection with external system



- ∟ Connection at site
- ∟∟ Cable changes at site
- \* Alternative temperature measurement



|               |         |
|---------------|---------|
| SUUNN.        | VERSIO. |
| XX            | 2.16    |
| PVM.          |         |
| 1.6.2026      |         |
| ALLEKIRJOITUS |         |

DIAGRAM  
SWEGON CASA  
FAN COIL

|  |          |              |
|--|----------|--------------|
| SUUNNITTELUALA, TYÖN JA PIIRUSTUKSEN N:O |          | MUUTOS       |
| <b>LVI</b>                               |          |              |
| LEHTI                                    | LEHDISTÄ | TILAAJAN N:O |
|  | 2 / 3    |              |

# Functional description room temperature controller

## General

The room temperature control function of the air handling unit can control up to three room temperature controllers. The temperature controllers are independent of each other except for some common functions. The room temperature controller can control cooling, heating, or both, and additionally control the fan to boost cooling or heating as needed. Room temperature is measured using the CASA Genius control panel. The control panel can be set to room temperature controller mode, where only the setpoint, measured temperature, and related settings are visible. The panel can be locked into this mode with a password so the user cannot access other settings. During cooling season, temperature increase can be selected, and during heating season, temperature decrease can be selected when the air handling unit is in away mode. This helps save energy by changing the unit's mode as needed. This can also be automated, for example, with the CO<sub>2</sub> function.

## Connection interface of the air handling unit

For room temperature control, a maximum of 4 pcs 0–10 V outputs, 2+5 pcs relay outputs, and 1+5 pcs digital inputs are available. Note that 5 of the outputs/inputs are configurable, so the number depends on configuration. The connection diagrams show examples, but each I/O must be defined during commissioning, where their location can also be changed.

## Actuators of the room temperature controller

The room temperature controller controls a heating/cooling actuator. The actuator can be ON/OFF or PWM type, in which case control is via an intermediate relay. (Note: when using PWM control, observe the maximum switching frequency of the relay.) The actuator can also be controlled with a 0–10 V control signal (min and max voltages adjustable).

The actuator can control heating, cooling, or both in 2-pipe systems. Alternatively, it can control both heating and cooling in 4-pipe systems, in which case two actuators are controlled.

By default, the system measures circulation water temperature, allowing heating or cooling when the water temperature exceeds/falls below the heating and cooling set limits (adjustable). Note: in 4-pipe systems only the hot water circulation temperature is measured, so the cooling limit must be set high enough to activate cooling regardless of hot water temperature.

## Fan control

Fan control is via a 0–10 V control signal. Min and max voltages can be set, as well as a neutral-state control voltage when neither heating nor cooling is active.

When heating or cooling is active, fan speed is boosted according to the room temperature controller's demand. A boost threshold can be set, defining when the fan starts boosting. For example, with a threshold of 20%, the controller operates the actuator 0–20% with the fan at minimum speed. When the output exceeds 20%, the fan starts boosting so that when the controller output reaches 100%, the fan also runs at set maximum speed.

The user can influence fan speed by selecting a silent mode, limiting fan speed to minimum. This is available only for a limited time (max. 6h). The user can also select a boost mode (active 2h), in which case the fan runs at maximum speed regardless of temperatures – useful for passive cooling/ventilation.

## Cooling / Heating season selection

Season selection can be made automatically by measuring circulation water temperature. After detecting heating or cooling demand, the valve is fully opened, and then the system waits until the water temperature exceeds/falls below the set threshold. If insufficient, the valve closes and a 2h delay occurs before repeating the test.

If no water temperature measurement is available, the selection can be made via an I/O input or controlled via Modbus RTU.

Season selection can also be made from the control panel, allowing manual activation of heating or cooling.

## Room temperature controller

Room temperature is regulated by a PI controller, measuring with the CASA Genius panel, a separate wall-mounted PT1000 sensor, or an internal Swegon PTC sensor.

The setpoint can be selected from the panel. The user-selectable range can be limited at commissioning (+18 C ... +25 C). Setpoint adjustment can also be limited when the unit is in Away or Travel modes by defining an increase/decrease offset (default 0 °C). Controller response can be tuned in the commissioning menu (P-gain and I-time).

## Diagnostics

The controller operation can be monitored via the panel's diagnostics menu or Swegon CASA APP, where room temperature trend data is visible.

## Alarms

Condensation alarm (cooling coils only): A digital input can be assigned to condensation function. When activated, cooling is stopped. If active for 2h, a condensation risk alarm is shown on the panel.

Circulation water temperature alarm: When the sensor is in use, an alarm is triggered if water temperature is insufficient within 5min.

## Switching the control panel to room control mode

The control panel can be switched to room control mode after commissioning. Note: the control panel installed in the room must be connected and assigned a unique ID in the panel settings. During commissioning, select the panel defined as the room temperature measurement source.

To enable room control mode, the panel user level must be set to "Extended" (modifiable in commissioning menu). Room control mode can then be selected from the main view. One of up to three room controllers or ventilation can be chosen. Once selected, the visible functions can be configured for the user. These can then be locked via the commissioning menu by switching the user level to "Basic".

|  |               |          |  |  |          |              |
|--|---------------|----------|--|--|----------|--------------|
|  | SUUNN.        | VERSIO.  | DESCRIPTION<br>SWEGON CASA<br>FAN COIL | SUUNNITTELUALA, TYÖN JA PIIRUSTUKSEN N:O |          | MUUTOS       |
|  | XX            | 2.16     |  | LVI                                      |          |              |
|  | PVM.          | 1.6.2026 |  | LEHTI                                    | LEHDISTÄ | TILAAJAN N:O |
|  | ALLEKIRJOITUS |          |  | 3 / 3                                    |          |              |