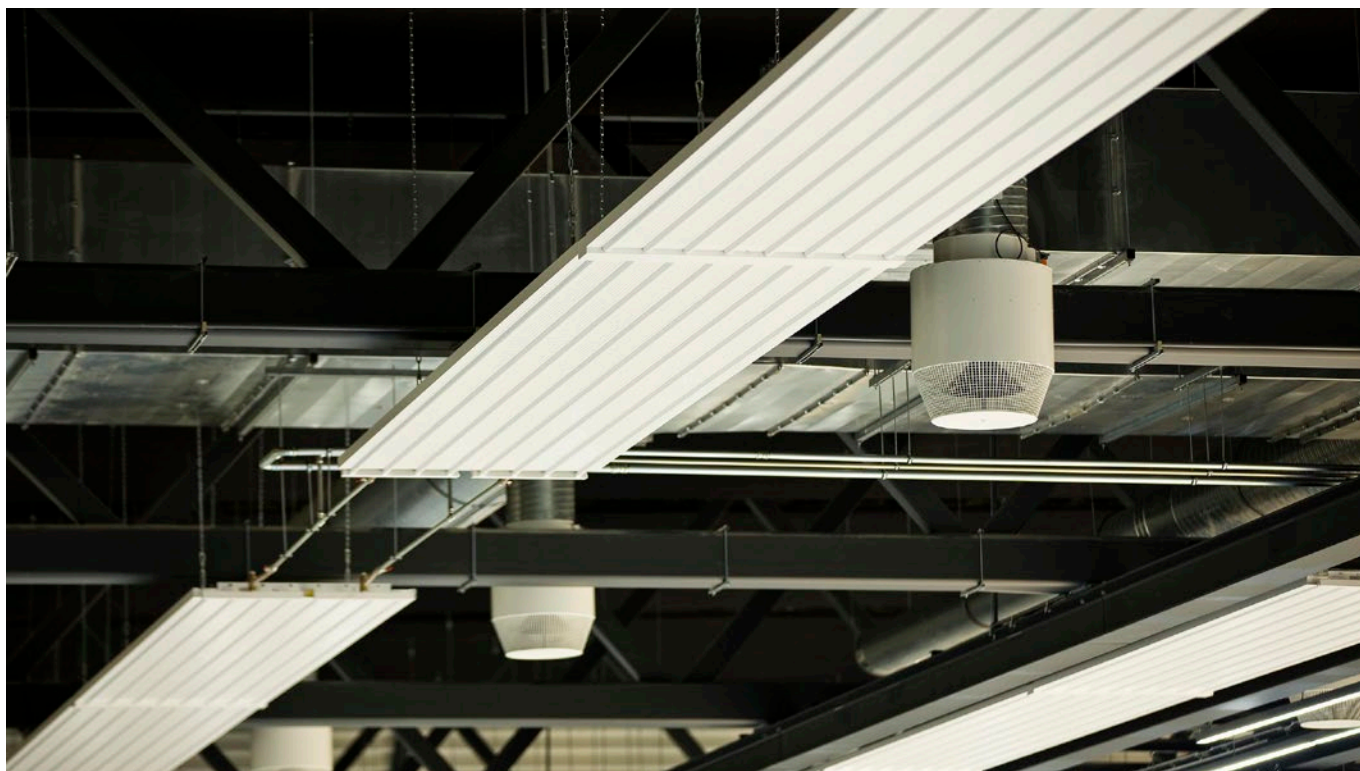


JPK-KS

Circular radial diffuser for high installation heights



QUICK FACTS

- Circular diffuser with adjustable control cone for a horizontal or vertical distribution pattern
- Control cone is adjusted via electric motor
- Suitable for large halls with ceiling heights up to 25 m
- Designed to keep the occupied zone free from contaminated air

Size	Horizontal							
	L _{WA} = 30 dB		L _{WA} = 40 dB		L _{WA} = 50 dB		L _{WA} = 60 dB	
	V (m ³ /h)	Δp (Pa)	V (m ³ /h)	Δp (Pa)	V (m ³ /h)	Δp (Pa)	V (m ³ /h)	Δp (Pa)
315	1080	19	1290	31	1620	53	2130	103
400	1630	15	2020	28	2430	49	3430	124
500	1850	6	2780	16	3630	28	5010	57
710	2880	5	4500	12	6070	20	8460	37

Size	Vertical							
	L _{WA} = 30 dB		L _{WA} = 40 dB		L _{WA} = 50 dB		L _{WA} = 60 dB	
	V (m ³ /h)	Δp (Pa)	V (m ³ /h)	Δp (Pa)	V (m ³ /h)	Δp (Pa)	V (m ³ /h)	Δp (Pa)
315	647	15	881	25	1190	41	1810	82
400	1170	14	1490	24	1970	40	2860	86
500	1700	7	2460	16	3220	26	4760	59
710	2440	5	3990	11	5850	21	8270	37

Content

Technical description	3
Design	3
Functionality	3
Material and surface treatment	3
Adaptation	3
Technical data.....	4
Sizing diagram	4
Horizontal distribution pattern	4
Vertical distribution pattern.....	4
Speeds in the vertical distribution pattern (isothermal) depending on the distance	5
Speeds in the vertical distribution pattern (isothermal) depending on the distance	5
Dimensions.....	6
Construction.....	6
Possible distribution patterns.....	7
Specification.....	8
Specification text.....	8

Technical description

Design

The JPK-KS radial diffuser features a cylindrical body with a tapered perforated discharge basket with a base plate, including prepared attachment points for optional suspension brackets as well as an internal control cone.

The distribution pattern can be adjusted continuously from horizontal to vertically downward, controlled by an electric motor that moves the internal control cone vertically.

The diffuser is suitable for large areas with installation heights of up to 25 meter, and is designed to keep the occupancy zone free of polluted air.

Functionality

Air enters the control cone through the spigot and is directed onto the control cone in a focused stream via a nozzle. Vertical, horizontal or umbrella-shaped displacement discharge can be generated depending on the position.

The distribution pattern is continuously adjusted via a 0 - 10 volt control signal from an electric servomotor (0 volt = horizontal, 10 volt = vertical), with optional power supply of 24 volts or 230 volts.

Material and surface treatment

- Made of galvanised steel.
- Standard colour:
 - Non-painted
- Alternative standard colours:
 - RAL 9010, pure white, gloss 70
 - RAL 9003, signal white, gloss 70
 - RAL 9006, white aluminium, gloss 70

Adaptation

- Other colours available on request.
- Available in stainless steel or aluminium on request.

Accessories

- Suspension brackets.

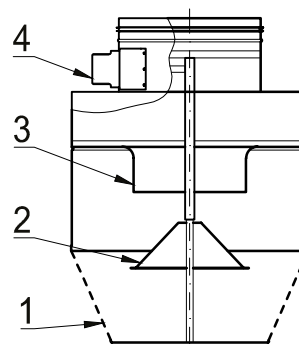


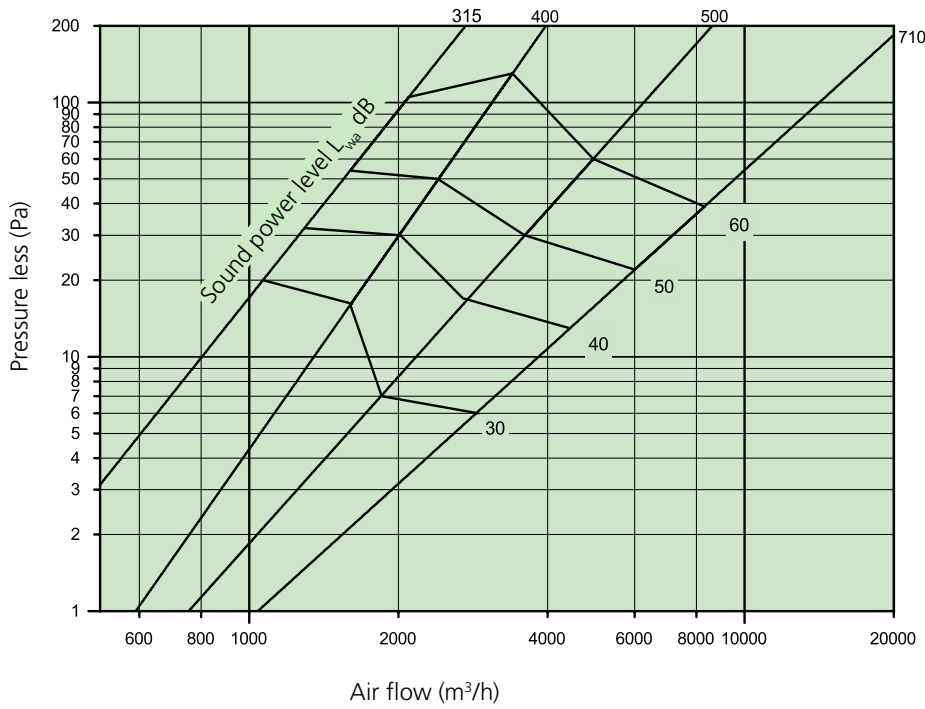
Figure 1. The structural design of JPK-KS.

1. Conical perforated discharge basket
2. Control cone
3. Nozzle
4. Servomotor

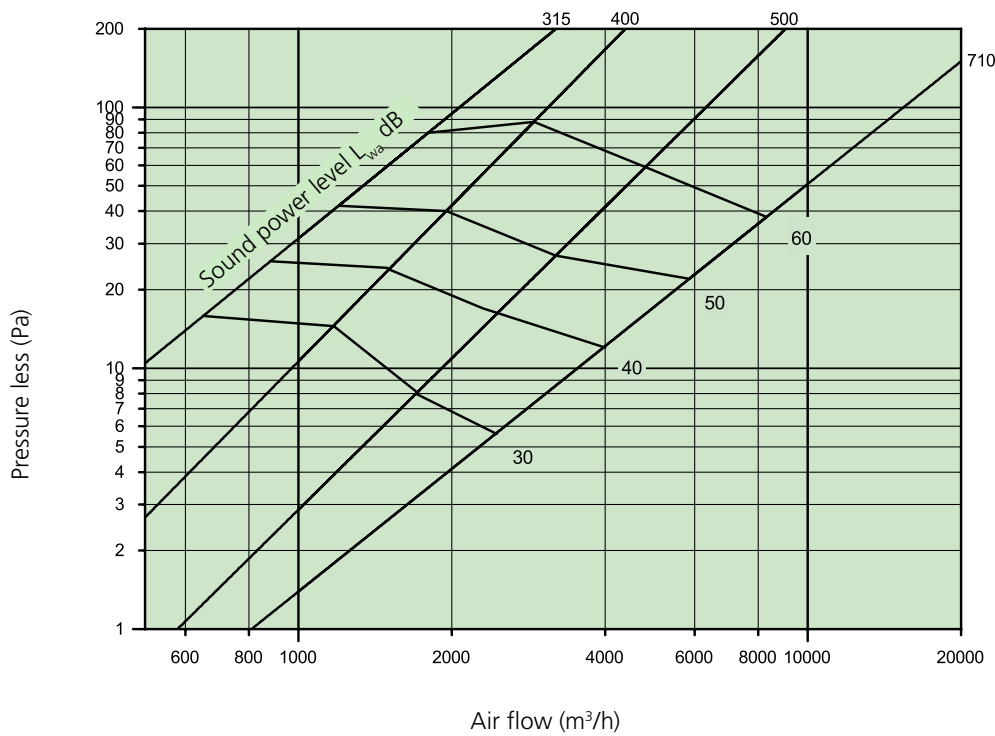
Technical data

Sizing diagram

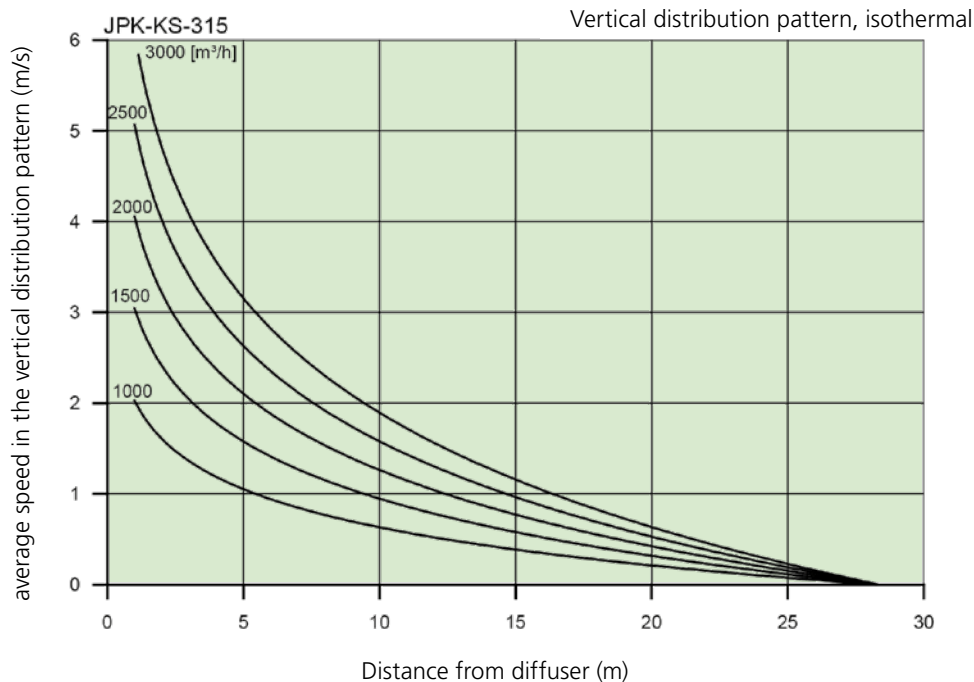
Horizontal distribution pattern



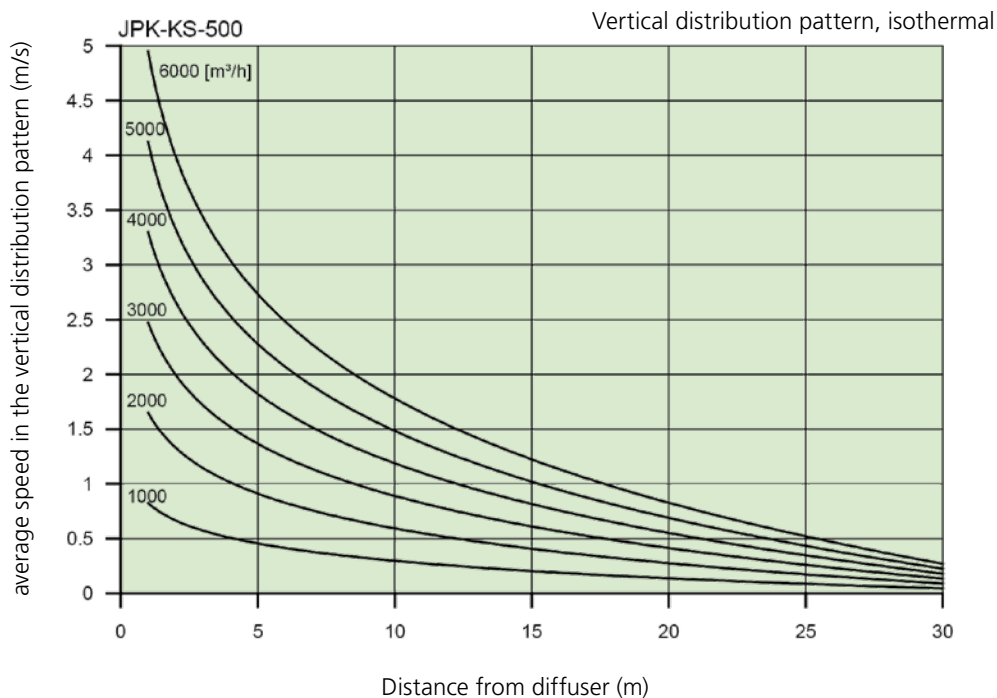
Vertical distribution pattern



Speeds in the vertical distribution pattern (isothermal) depending on the distance



Speeds in the vertical distribution pattern (isothermal) depending on the distance



Dimensions

Size	$\varnothing d$ (mm)	$\varnothing D$ (mm)	$\varnothing D1$ (mm)	h (mm)	H1 (mm)	H2 (mm)
315	313	520	345	175	550	200
400	398	600	440	175	640	215
500	498	705	540	175	800	215
710	708	940	760	175	1110	240

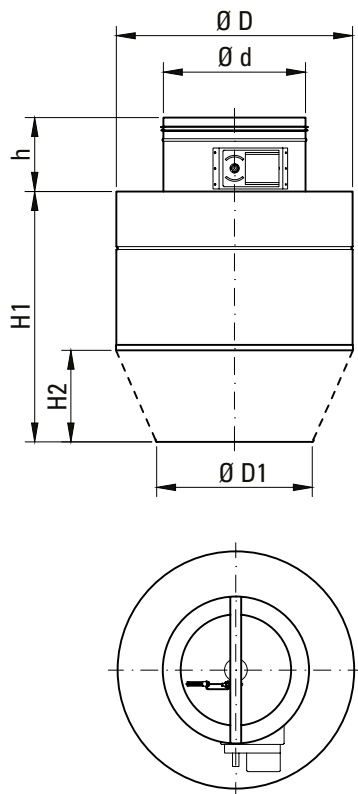


Figure 2. Dimensions, JPK-KS (mm).

Distribution patterns

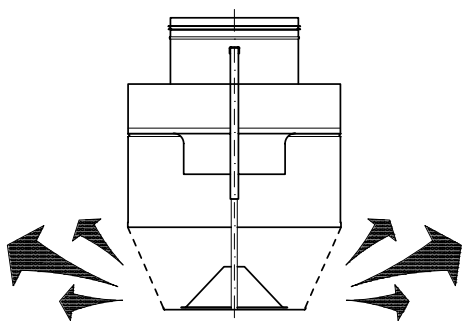


Figure 3. Horizontal, cooling mode.

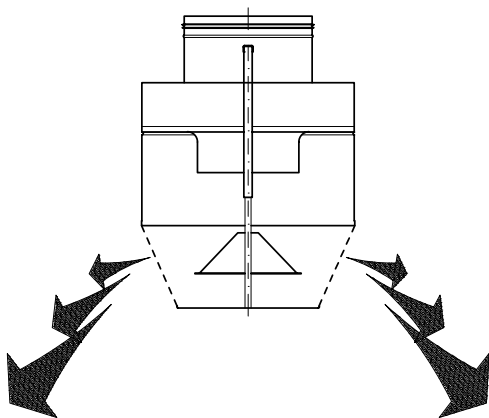


Figure 4. "Bell-shaped/slanted", isothermal.

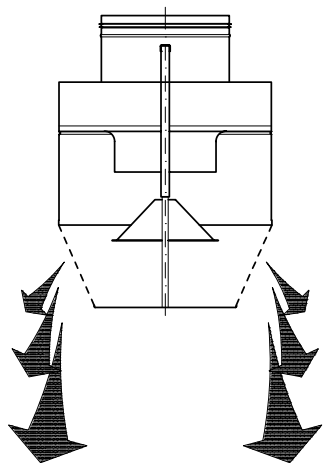


Figure 5. Vertical, heating mode.

Specification

For ordering, contact your local Swegon sales office.

Specification text

Circular radial diffuser JPK-KS for horizontal or vertical distribution pattern with the following features:

- Features a cylindrical body with a tapered perforated discharge basket with a base plate.
- Prepared attachment points for optional suspension brackets.
- Internal control cone.
- Infinitely variable distribution patterns change via a servomotor using a 0-10 volt control signal.
- Diffuser made of galvanised steel, non-painted.
- Available in special colours on request.
- Alternative materials such as aluminium or stainless steel on request.