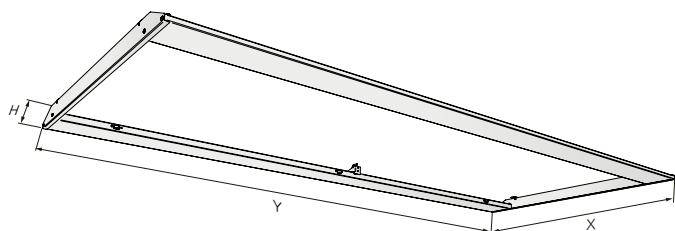


PACIFIC T-CF

Mounting instructions for coanda frame

2026-04-14
Art. 942428109

Applies to Coanda frame compatible with PACIFIC, PACIFIC AWC, REACT Pacific and WISE Pacific



Protective equipment

Always use appropriate personal protective equipment for the purpose, in the form of gloves, respiratory protection, protective goggles and helmet when handling, installation, cleaning and service/maintenance.

Note! This instruction shows the Coanda frame installed on a PACIFIC 1794. Depending on size, the included components below and the images in this instruction may vary slightly, but the number of parts and the installation procedure are the same for all PACIFIC variants.

Dimensions

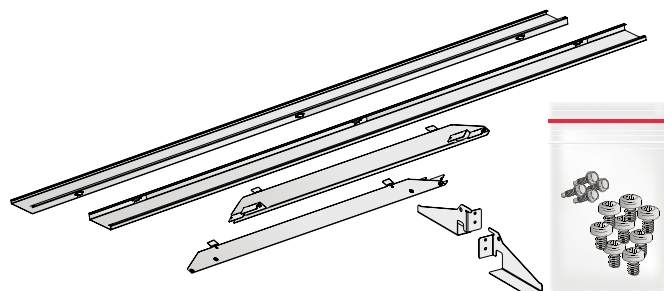
PACIFIC T-CF	X	Y	H
Length	mm	mm	mm
1194	797	1197	45
1794	797	1797	45
2394	797	2397	45
2994	797	2997	45

Weight

PACIFIC T-CF	Weight
Length	kg
1194	2,192
1794	3,022
2394	3,852
2994	4,682



PACIFIC coanda frame is applicable for PACIFIC-products with external measurements: 1194, 1794, 2394 and 2994mm.

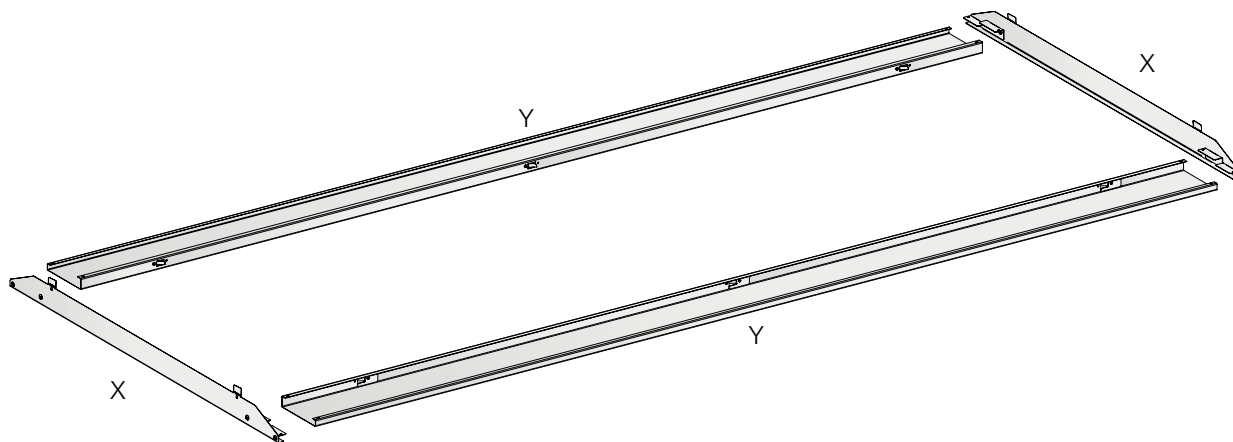


Package Contents

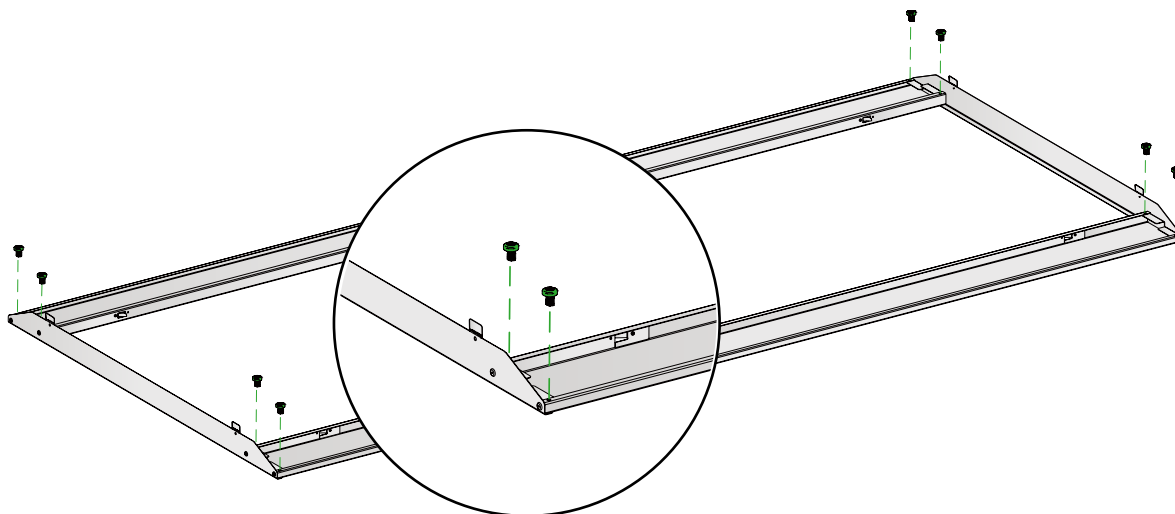
- 2 long sides
- 2 short sides
- 2 center braces
- 1 bag containing:
 - 8 screws (Torx T20, M4x6)
 - 4 self-drilling screws (hex head)

Assembly

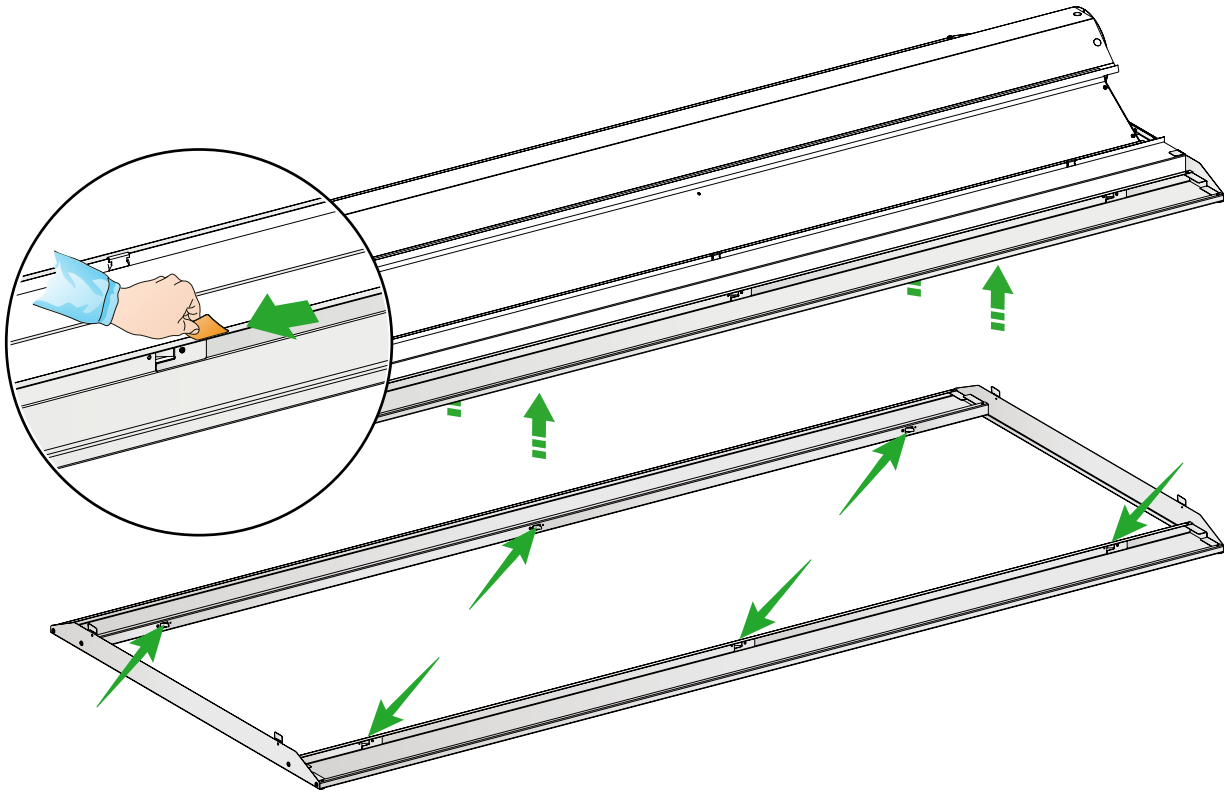
Place the long sides (Y) and short sides (X) on a flat, stable, and scratch-free surface, as shown in the illustration below.



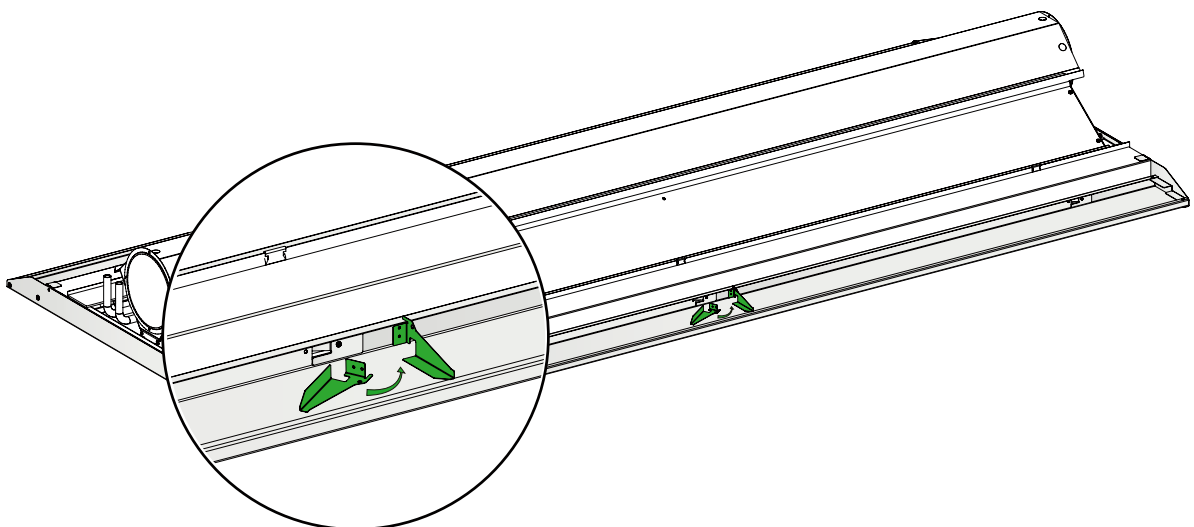
1. Bring all four corners together so that the long side fits between the two end plates of the short side.
2. Make sure that the screw holes are correctly aligned.
3. Fasten the long sides and short sides together using the supplied 8 screws, 2 screws in each corner (Torx T20, M4x6).



4. Mount the Coanda frame onto the PACIFIC unit. It is recommended that two people perform this task, especially for longer lengths.
5. Press in the protruding clips while pushing the frame up against the product. To avoid scratches, a plastic card can be used to help fold the clips in from the top or bottom.
6. Ensure that a clicking sound is heard when the Coanda frame snaps into place.
7. Repeat the same procedure on the other long side.

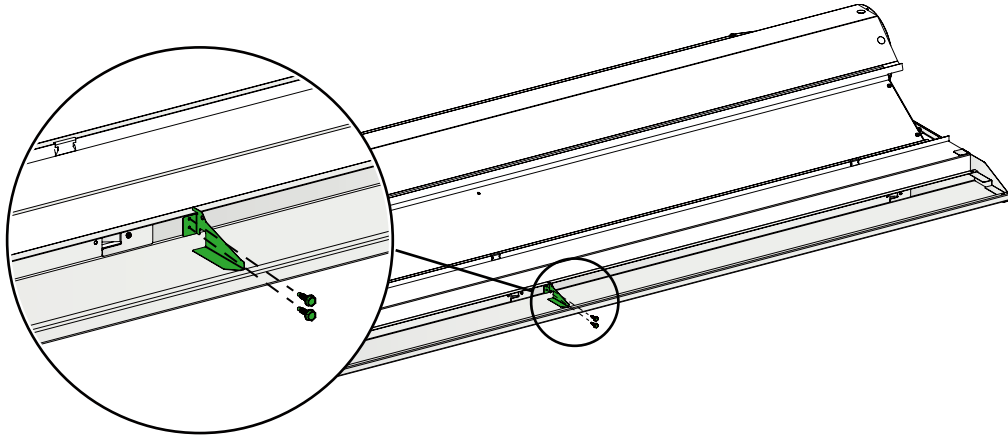


8. Position the center brace diagonally at the center of the long side of the Coanda frame.
9. Rotate the center brace so that it fastens across the long side, with the screw holes facing inward toward the product.



Coanda frame PACIFIC T-CF

10. Secure the center brace using two of the supplied self-drilling screws.
12. Repeat the steps on the opposite long side.



13. Fold down the tabs on both end panels over the product's design frame.

