

PACIFIC HG

Cleaning - foldable coil

09/04/2026
Art. 942428110

Refers to foldable coil on PACIFIC, PACIFIC AWC, REACT Pacific and WISE Pacific

Protective equipment



Always use appropriate personal protective equipment for the purpose, in the form of gloves, respiratory protection, protective goggles and helmet when handling, installation, cleaning and service/maintenance.



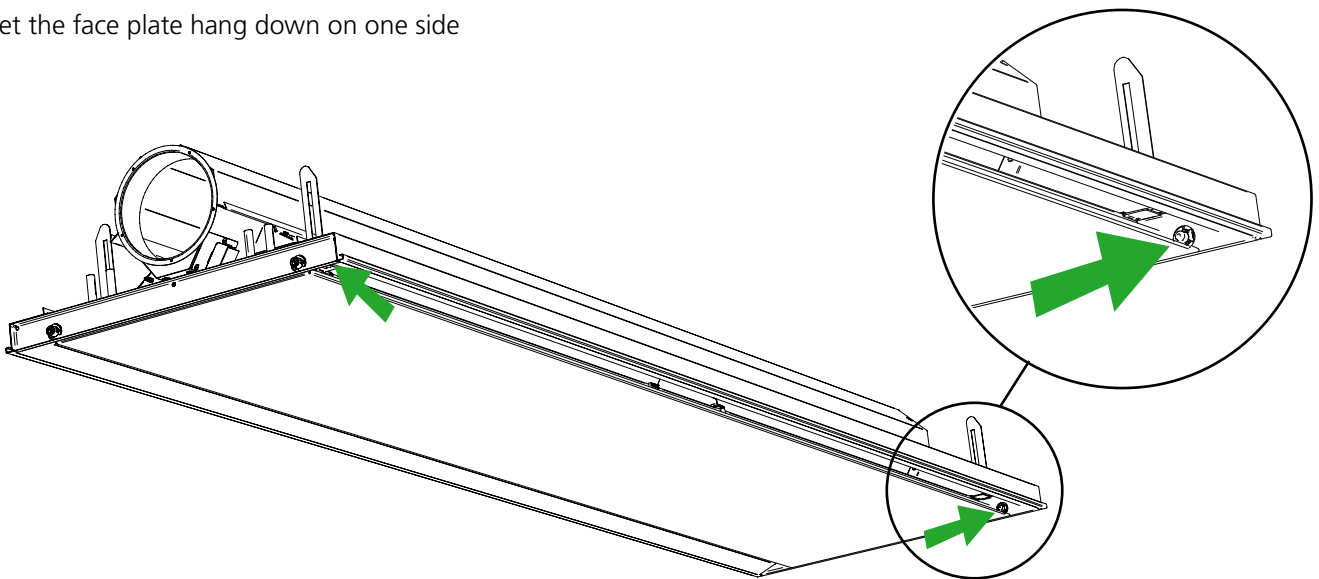
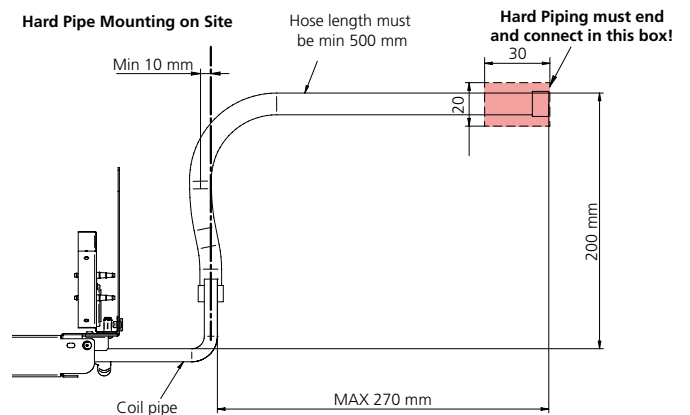
For cleaning chilled beams, pH-neutral cleaning agents should be used, typically within pH 6.5–7.5, to avoid damage to materials such as aluminum, copper, and aluzinc. For spot disinfection, an alcohol-based disinfectant is recommended, such as ethanol or isopropanol ($\approx 70\%$), which is effective and gentle on materials.

The use of strong cleaning agents or disinfectants that are highly alkaline (high pH) or acidic (low pH) may cause corrosion or material damage. If such agents are required, Swegon should be consulted before use.

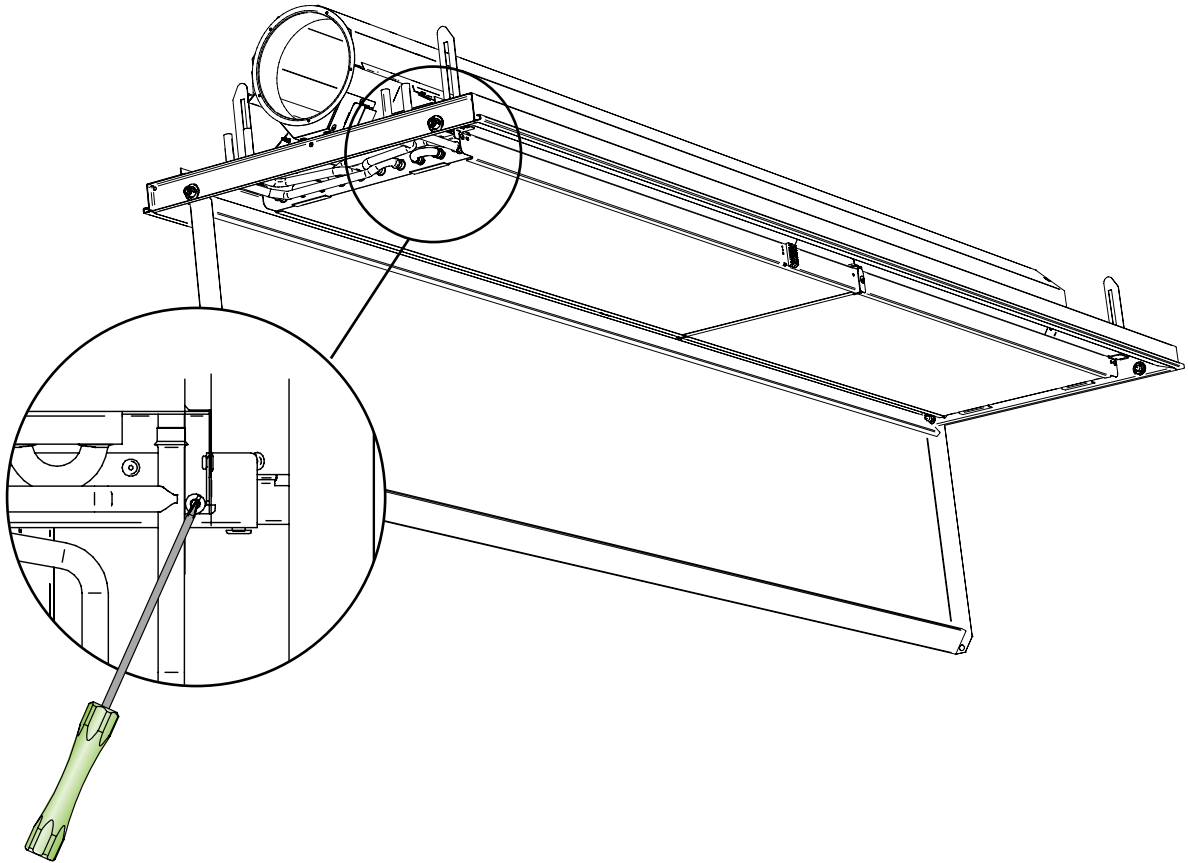
1. To fold down the face plate, press the buttons on both sides.
2. At the middle of the long side it might need some help to fold down.
3. Let the face plate hang down on one side



Always use flexible hoses for foldable coil!

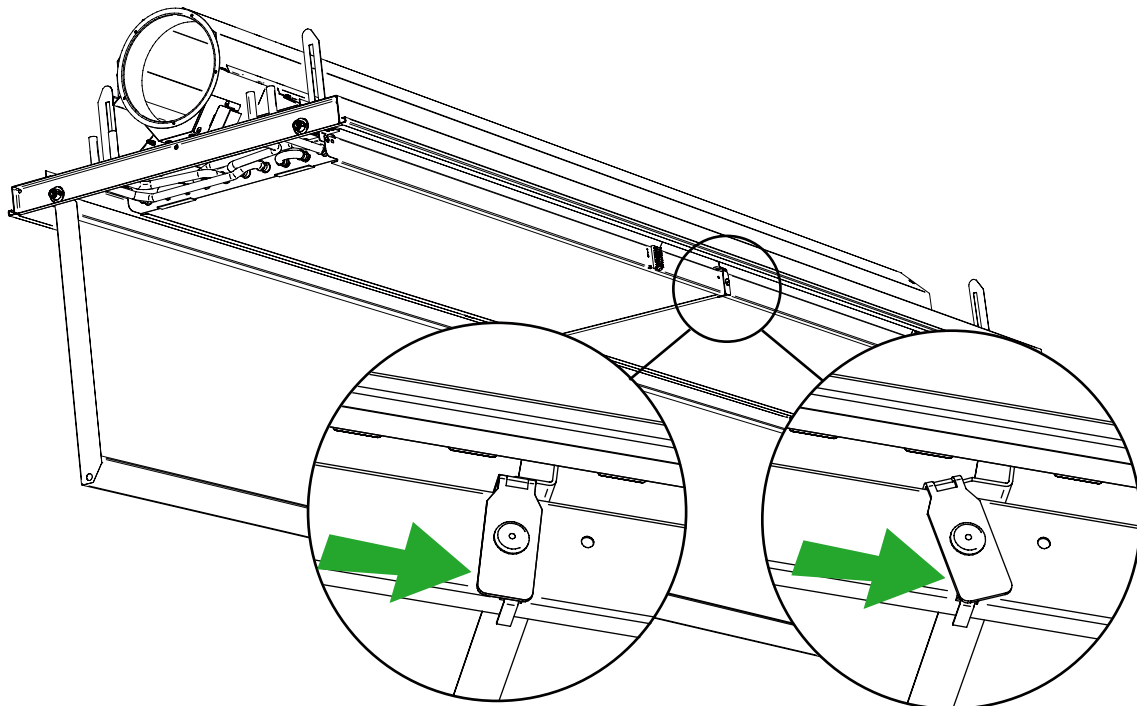


4. Loosen the screws in all four corners of the coil, (Torx, T25).

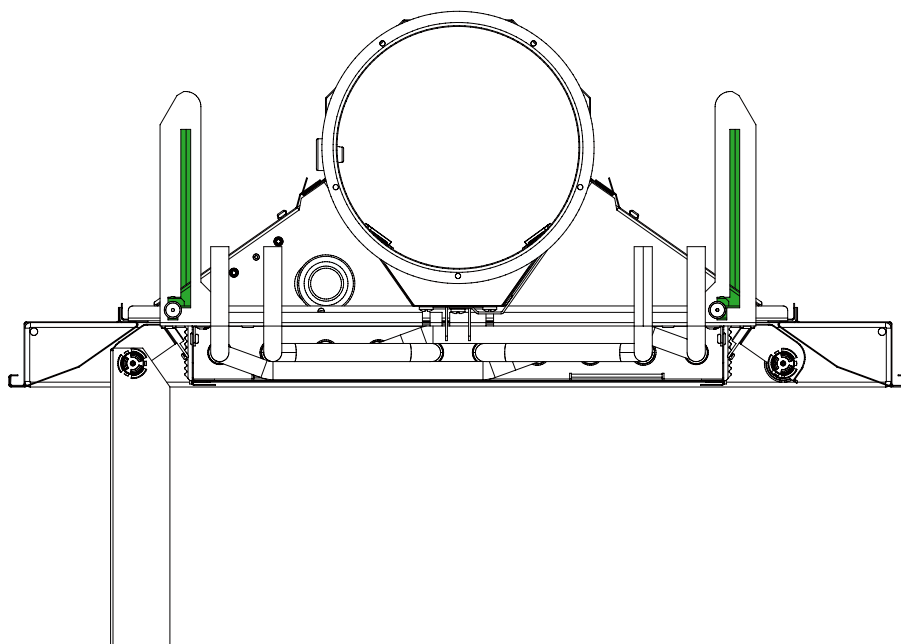


5. Turn the rod located in the middle on both sides so that the coil detaches from the PACIFIC.

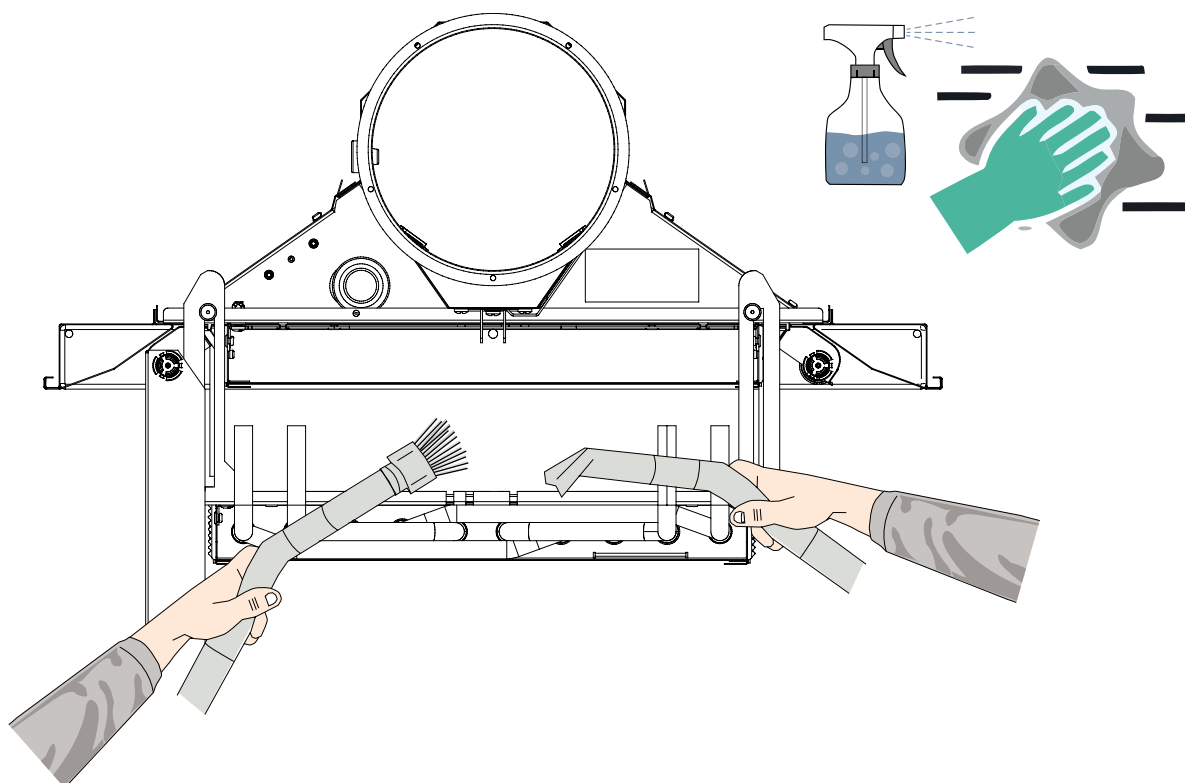
6. The coil does not fall down as it rests in the Z-shaped brackets located in each corner



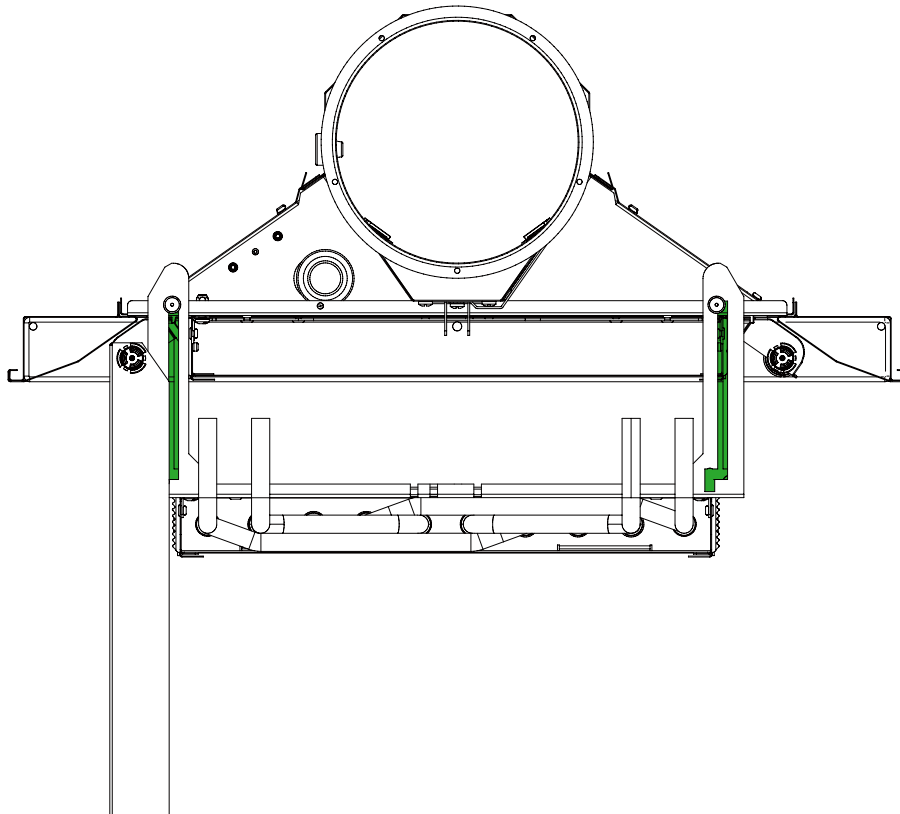
7. To lower the coil.
8. Lift coil slightly and push it to the side than lower the coil, (see green marked track).
9. Leave it hanging in that position during cleaning.



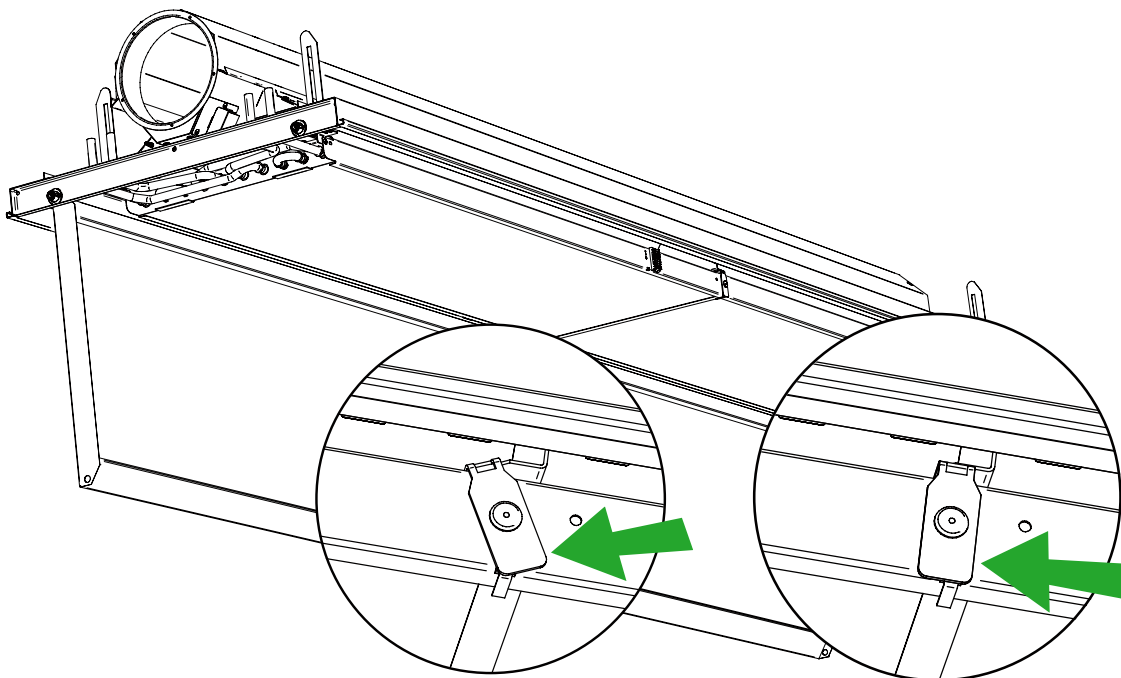
10. Vacuum the top/bottom side of the coil as well as the slots using a suitable nozzle.
11. Clean both sides and edges of the bottom panel with a damp cloth. Use only water or mild soapy water.



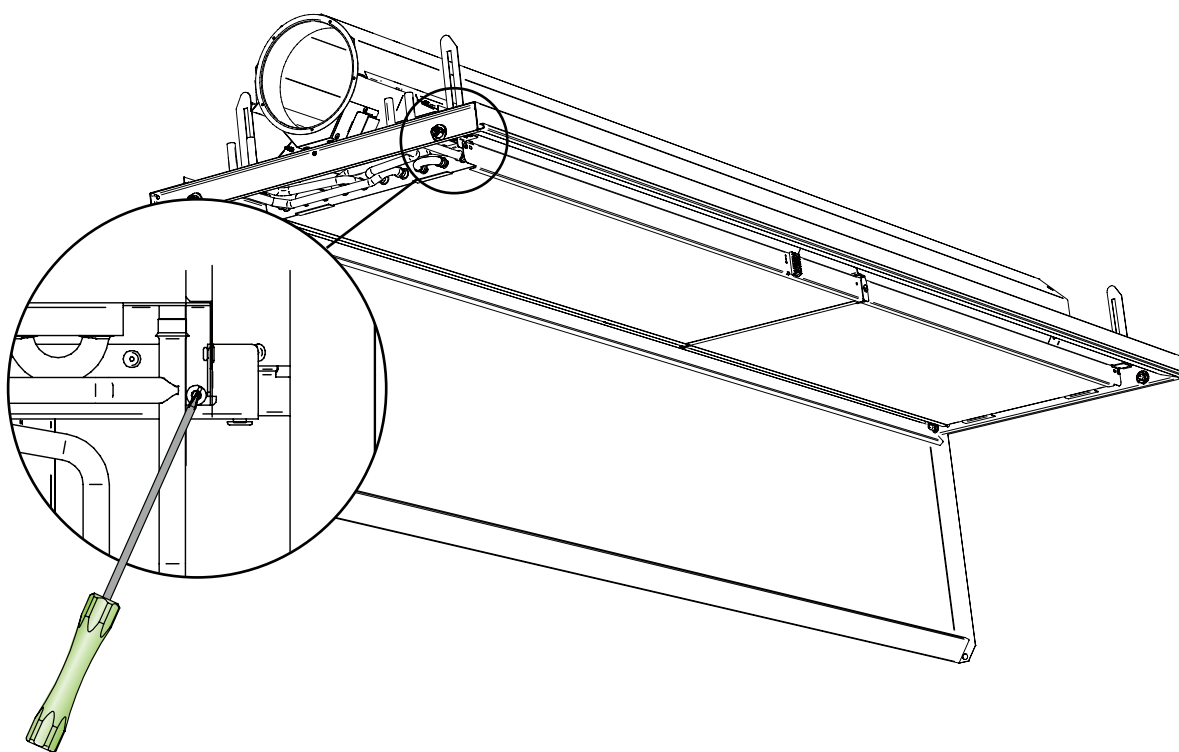
12. Lift the battery up slightly, then move it slightly to the side.
13. Then follow the green marked track of the Z-profile until the coil is completely lifted.



14. Turn the rod located in the middle of the long side so that the coil attaches to the PACIFIC.



15. Tighten the four screws in all four corners that secure the coil (Torx, T25).



16. Lift up and fasten the face plate by pressing the two buttons in the end panels.
17. Make sure the face plate is securely attached in the middle.

