

# CLV

Compact angle silencer for circular ducts



## QUICK FACTS

- Low installation height
- Excellent sound attenuation
- Air tightness class C
- M1 class
- Low pressure drop
- Built for low CO<sub>2</sub> footprint



# Technical description

## General

A compact angle silencer for circular ducts.

## Material and surface treatment

- Manufactured from recycled galvanised sheet metal, according to environmental class C3 (equivalent to M2 for AMA VVS2016).
- Sound attenuating material: Polyester panels.
- The connection spigots are equipped with rubber seals

## Sustainable sheet metal with reduced CO<sub>2</sub>

CLV is part of Swegon's RE:3 concept, based on the key principles of circularity, which consist of RE:duce, RE:use and RE:vitalise.

CLV is manufactured with sustainable sheet metal called RRP, where RRP stands for "recycled and renewably produced". The steel has a recycled steel content of at least 75 per cent. In addition, the manufacturing process uses electric arc furnaces powered by 100 percent renewable energy.

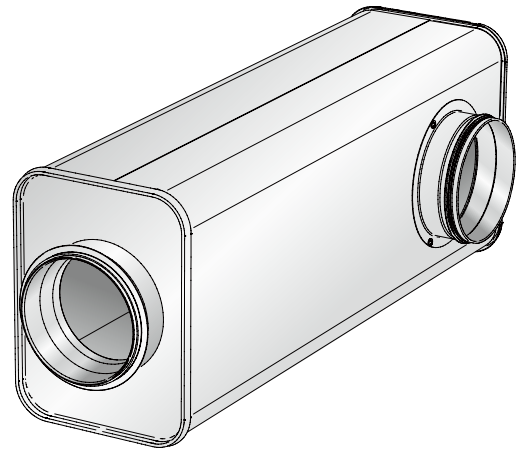


Figure 1. CLV

## Installation and Maintenance

See separate installation instructions.

## Environment

The relevant building product declaration is available on our website.

# Sizing

## Sound attenuation

Sound attenuation is specified to ISO 7235, i.e. static integral attenuation for duct products.

**Table 1.**

Size	Length (mm)	Ød (mm)	H (mm)	Static integral attenuation, dB to ISO 7235							
				63	125	250	500	1K	2K	4K	8K
100	600	99	152	6	11	15	21	33	39	38	40
100	1000	99	152	9	13	21	32	43	49	48	44
125	600	124	177	5	10	12	19	31	37	36	38
125	1000	124	177	9	12	18	29	42	48	46	43
160	600	159	212	8	7	10	17	28	34	31	34
160	1000	159	212	11	11	16	23	38	47	43	39
200	600	199	252	10	6	8	17	26	30	26	30
200	1000	199	252	10	7	13	21	35	43	36	37

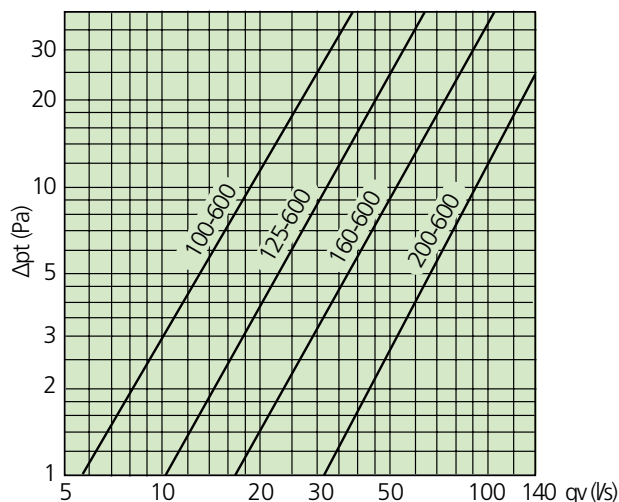
## Pressure drop

The pressure drop that CLV duct-to-duct installation generates is specified in Diagram 1 and 2.

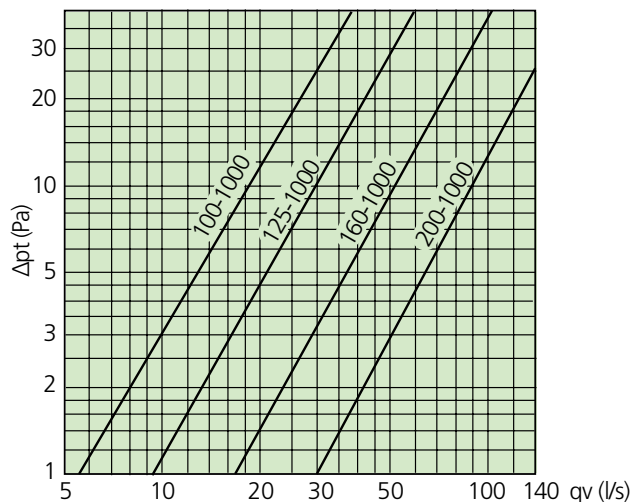
## Software

Sizing software can be easily found at [www.swegon.com](http://www.swegon.com)

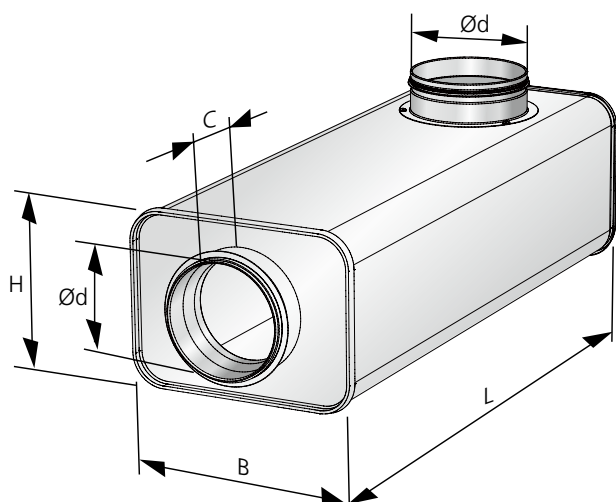
**Diagram 1. Pressure drop – CLV airflow, length 600**



**Diagram 2. Pressure drop – CLV airflow, length 1000**



# Dimensions and weight



CLV dimensions

Size	B mm	H mm	L mm	C mm	$\varnothing d$ mm	E mm
100	208	152	603	34	99	100
100	208	152	1003	34	99	100
125	236	177	603	34	124	112,5
125	236	177	1003	34	124	112,5
160	274	212	603	34	159	130
160	274	212	1003	34	159	130
200	321	252	603	34	199	150
200	321	252	1003	34	199	150

Figure 2. CLV – dimensional drawing

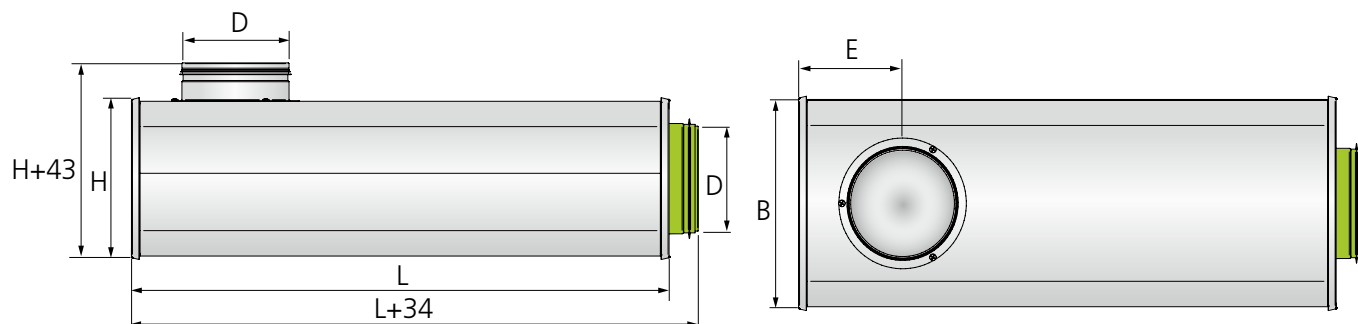


Figure 3. CLV – dimensional drawing (side view)

## CLV weight

Size	L mm	Weight kg	L mm	Weight kg
100	600	2,7	1000	4,2
125	600	3,2	1000	5,0
160	600	3,9	1000	6,0
200	600	4,7	1000	7,3

# Specification

## Product

Compact angle silencer for circular ducts

<b>CLV</b>	a-	bbb-	cccc
Version:			
Connection dimensions:			
100, 125, 160, 200			
Length:			
600, 1000			

## Accessories

No accessories are available for this product.

# Specification text

Example of a specification text conforming to VVS AMA Standard

- Code
- Q APPLIANCES, DUCTS, DIFFUSERS, ETC IN AIR HANDLING SYSTEMS
  - QK SILENCER
  - QKB SILENCER WITH CIRCULAR CONNECTION
  - QKB.2 ANGLE SILENCER WITH CIRCULAR CONNECTION

## Example

LDXx, Swegon’s angle silencer for circular connection, type CLV, with the following features:

- Manufactured with recycled galvanised steel sheet, Xcarb
- Low installation height
- Air tightness class C
- M1 class

Designation:	CLV a-bbb-cccc	xx pcs
--------------	----------------	--------