

Instructions for damper actuators, SILVER PX plate heat exchanger

1. General

The modulated damper actuators are used for variably opening and closing the damper of the SILVER PX plate heat exchanger via 0-10 V control signal.

The damper actuators come in two versions with a torque of 5 or 10 Nm, see table below.

Air handling unit	Bypass damper	Section damper above heat exchanger
PX 04/05	5 Nm	10 Nm
PX 07/08	5 Nm	10 Nm
PX 11/12	5 Nm	10 Nm
PX 14/20	5 Nm	10 Nm
PX 25/30	5 Nm	10 Nm
PX 35/40	5 Nm	10 Nm
PX 40+	10 Nm	10 Nm
PX 50+/60+	10 Nm	10 Nm
PX 70/80	10 Nm	10 Nm



2. Technical data

Damper actuator, GDB161.1E (5 Nm)

Torque	5 Nm
Period in operation 90°	150 seconds
Frequency	50/60 Hz
Voltage	24 V AC
Power consumption	1.3 VA, 1 W
Temperature, operation	-32 to +55°C
Humidity, ambient	< 95% r.h.
Protection rating	IP 54

Damper actuator, GLB161.1H (10 Nm)

Torque	10 Nm
Period in operation 90°	150 seconds
Frequency	50/60 Hz
Voltage	24 V AC
Power consumption	2.5 VA, 1.5 W
Temperature, operation	-32 to +55°C
Protection rating	IP 54

3. Electrical connection

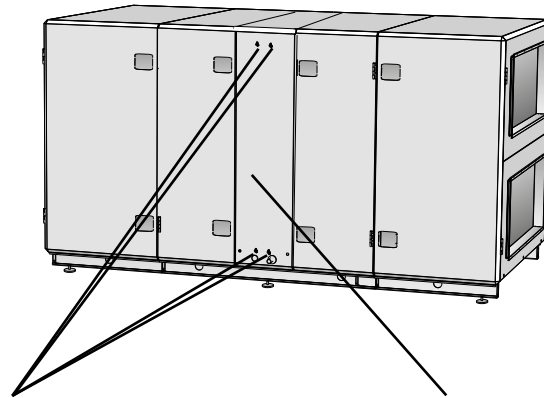
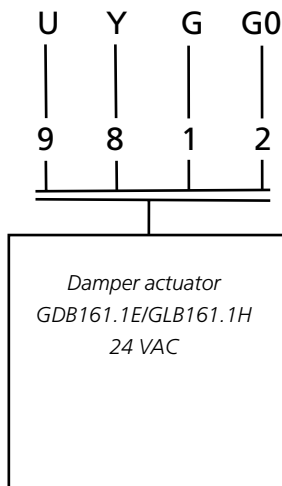
The electrical connections are to be wired by a qualified electrician in accordance with local electrical safety regulations.

The damper and damper actuator are located on the outdoor air side of the plate heat exchanger. For access, open the inspection door of the air handling unit.

The damper actuator's cables are run to the centre section of the air handling unit. For access, dismantle the measurement tappings (4 pcs.) and back off the bolts that secure the centre panel of the air handling unit; see illustration.

The cable grommets are located on the centre section of the air handling unit.

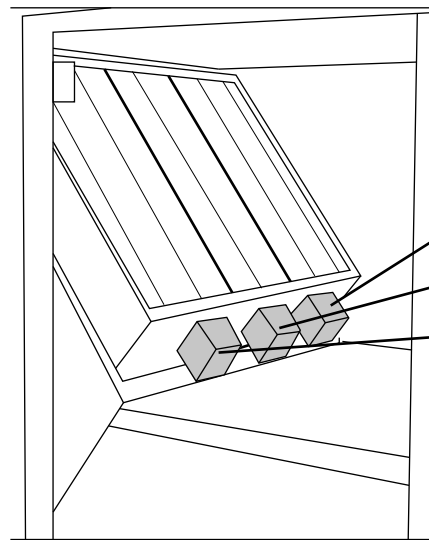
The respective cabling is marked as illustrated to the right.



Dismantle the measurement tappings (4 pcs.).

Back off the bolts that secure the centre section of the air handling unit.

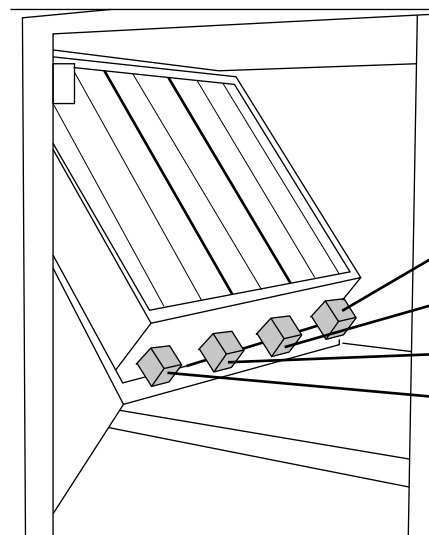
GOLD PX size 04 - 40



- Section damper 2 = 3A
- Bypass damper = 2A
- Section damper 1 = 1A

The damper and damper actuator are located on the outdoor air side of the plate heat exchanger. For access, open the inspection door of the air handling unit.

GOLD PX size 40+, 50+/60+, 70/80



- Bypass damper 2 = 4A
- Section damper 2 = 3A
- Section damper 1 = 1A
- Bypass damper 1 = 2A

The damper and damper actuator are located on the outdoor air side of the plate heat exchanger. For access, open the inspection door of the air handling unit.