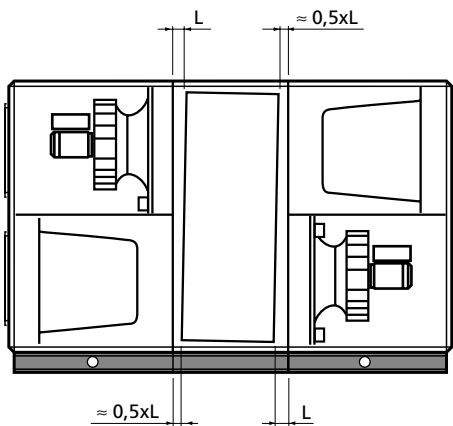
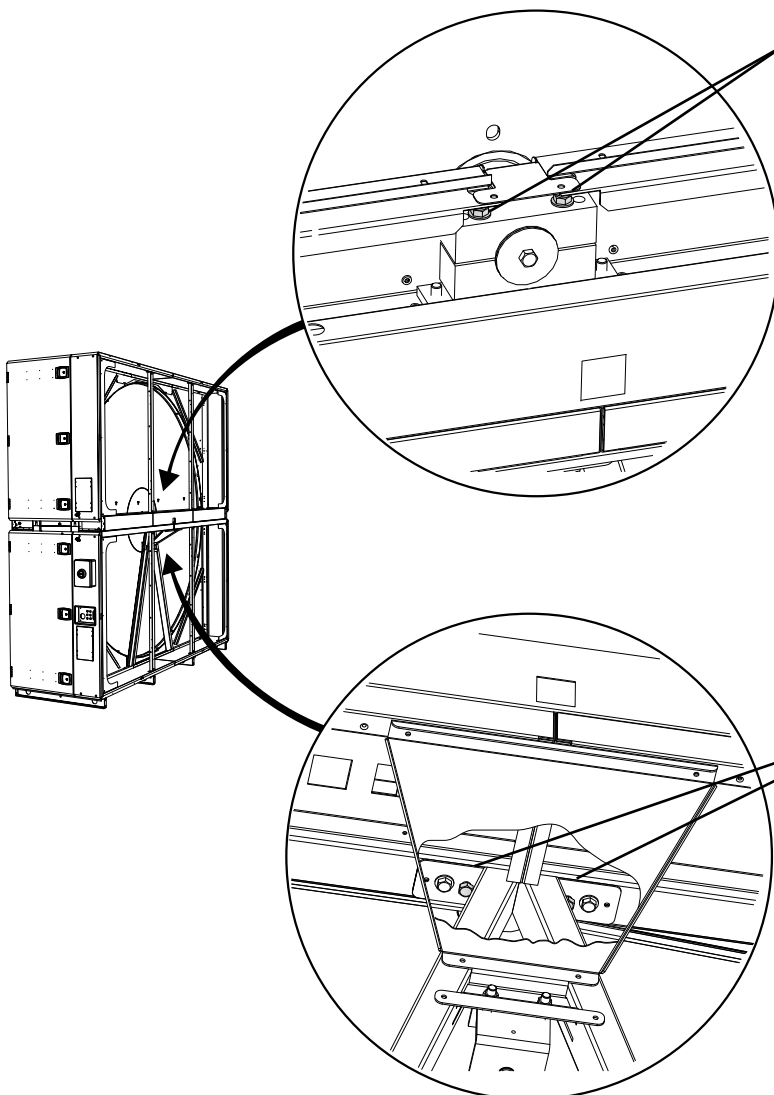


Adjustment of the Inclination of Rotary Heat Exchangers GOLD/SILVER C, sizes 70-80,



The illustration shows an appropriate rotor inclination setting for Fan Arrangement 1. The inclination must always be toward the filter, which means that the inclination for Fan Arrangement 2 is in the other direction.

The rotor's inclination may need to be greater in applications that involve high airflows with associated high pressure.



Slightly back off the locking bolts. Do not dismantle the shaft bracket.

Adjust the inclination of the rotor by means of the adjusting bolts. Tighten the adjusting bolts equally.

When you have adjusted the inclination, tighten the locking bolts.

