

SYST VDN/VEN

Commissioning

20190407
Art.no. 94248013

To adjust the valve

On delivery, the valves are fully open, position N:
SYST VDN215 and SYST VEN115: k_v 0.89.
SYST VDN220 and SYST VEN120: k_v 1.41.

Set the desired k_v value when commissioning.

The flow rate can be set by adjusting the valve cone setting. This is easily done using the protective housing (supplied with the unit) with a k_v scale having marks of different length (see Table 1). The lifting height is always the same regardless of setting.

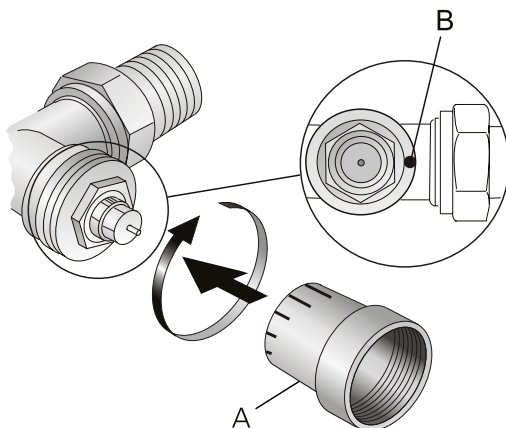


Figure 1. To adjust the k_v value.

A = Protective housing, rotatable through 180°

B = Marking on the outlet side of the valve

1. Fit the protective housing A over the valve.
2. Turn the protective housing until the desired reference mark is centred with mark B on the valve.

Table 1. k_v value (m^3/h) for different adjustment marks (KP 2K)

A	1	2	3	4	5	N(k_v)

B

Type	1	2	3	4	5	N(k_v)
SYST VDN215	0.07	0.17	0.28	0.36	0.45	0.89
SYST VDN220	0.22	0.35	0.44	0.52	0.60	1.41
SYST VEN115	0.07	0.17	0.28	0.36	0.45	0.89
SYST VEN120	0.22	0.35	0.44	0.52	0.60	1.41

A = Reference mark

B = k_v value