

Scanner TuneWISE

Hand scanner for the identification of products in Swegon's WISE system.



QUICK FACTS

- Easy identification and pairing of products in the WISE system.
- Installation and commissioning are ensured directly without cables connected incorrectly and troubleshooting.

Technical description

General

Scanner TuneWISE is used with the hand-held terminal TuneWISE and dongle Connect WISE-USB to identify each product and to link it with the function it is designed to fulfil in the WISE system.

Product identification is performed by reading the products' QR code using the scanner and communication with TuneWISE via Bluetooth.

Functions

- Identification of products in the WISE system.
- Pairing of products.

Identification/Pairing

See the WISE Systemguide that can be downloaded from www.swegon.com. Commissioning must be performed by qualified and trained WISE service engineers.

Maintenance

The product needs to be charged at regular intervals to avoid stoppages during pairing. In general the product does not require additional maintenance/service, except for any cleaning when necessary. Also see the separate Instructions for Use that can be downloaded from www.swegon.com.

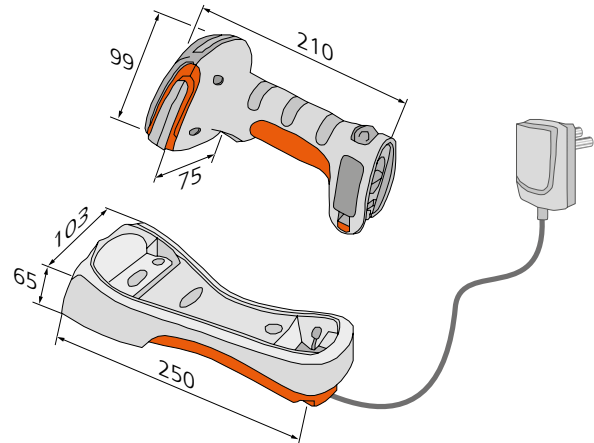
Technical data

Frequency band:	2.4 - 2.5 G Hz, IMS-band (2400--2483 MHz)
Charging time:	4.5 hours
Using time per charge	8 hours
Battery:	2000 mAh Li-ion
IP class:	IP65
Laser product class:	Class 2
Colour:	Black/orange
Ambient temperature:	Operating: -20 – + 50°C, Storage: -40 – +70°C
RH:	0 – 95% Non-condensing

Electrical data

Power supply:	+230V AC
Max. power consumption:	5W

Dimensions & weight



Hand scanner	Charging station
Weight (kg)	Weight (kg)
0.420	0.290

Specification

Product

Hand scanner:	Scanner TuneWISE	a	KIT
Version			
KIT = complete Incl. charge station/mains adapter			

Specification text

Example of a specification text according to VVS AMA.

Swegon's identification unit of the type Scanner Tune-WISE KIT with the following functions:

- Hand scanner for the identification of products in Swegon's WISE system.

Scanner TuneWISE a - KIT

xx items