

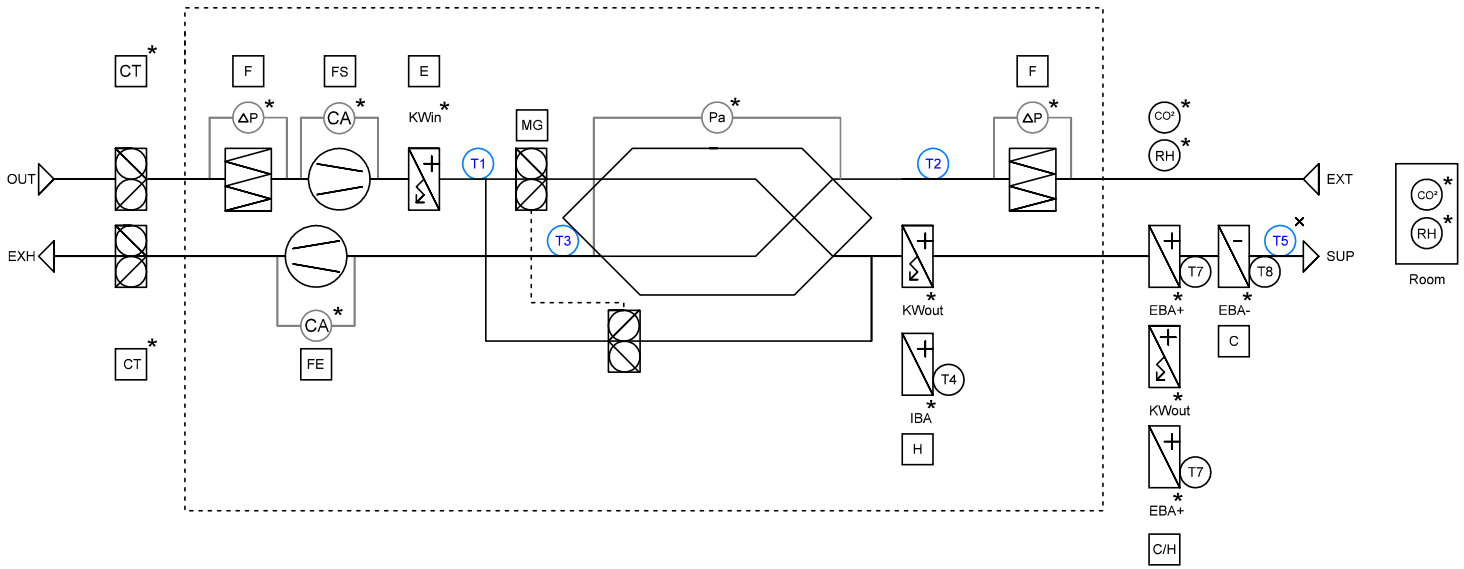
A

B

C

D

GLOBAL PX



Component

Delivery

	Exhaust fan with EC drive	installed / wired / configured
	Supply fan with EC drive	installed / wired / configured
	Motorised damper CT	installed / wired / configured
	Heating	installed / wired / configured
	KWin* : Electrical coil "frost protection"	installed / wired / configured
	KWout* : Electrical post-heating coil	installed / wired / configured
	IBA* : Internal Water Heating coil	installed / wired / configured
	3-way valve, Valve actuator	separately
	Filter OUT ePM1 50% (F7) / EXT ePM10 50% (M5)	installed
	Heating / Cooling	
	IBA+* : Heating coil	separately
	KW* : Electric heating	separately
	EBA+/- * : Change over coil	separately
	Cooling	
	EBA-* : Cooling coil	separately
	Outdoor temp.	installed / wired / configured
	Extract temp.	installed / wired / configured
	Exhaust temp.	installed / wired / configured
	Frost protection temp.	installed / wired / configured
	Supply temp. (separately)	installed / wired / configured
	Frost protection temp.	separately
	Frost protection temp.	separately
	Sensors CO ² , Humidity	separately
		separately
	Constant airflow kit	installed / wired / configured
	Pressure switch	separately
	Pressure sensor	installed / wired / configured

*: Option

Changes

Name

Date

Name

Date

Draw.:

Beckers

10.10.2018

check.:

Norm.:

Subject:

GLOBAL_Fow chart_EN.sp17

GLOBAL PX